

ZL Series
Bath Spout

Features

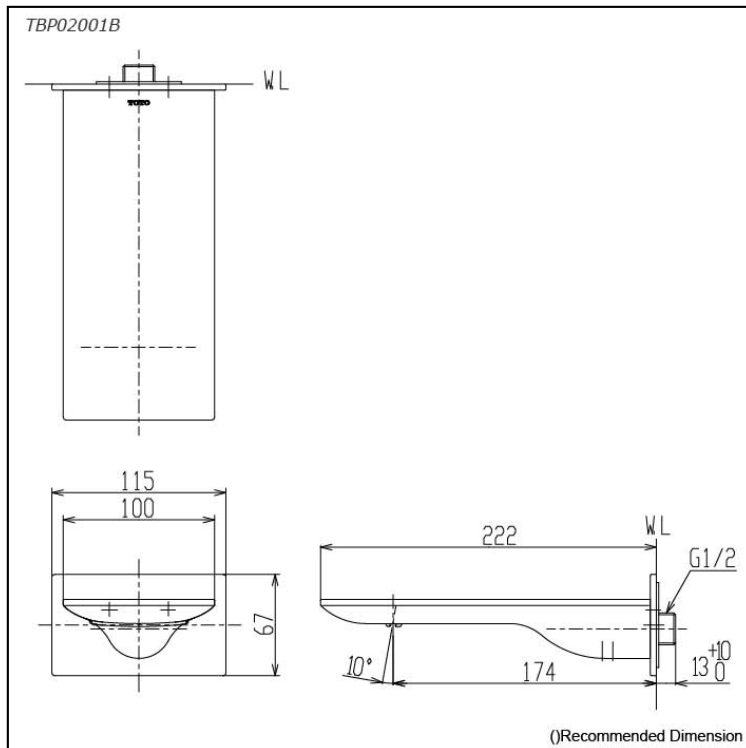
- Design Concept is Gorgeous and Organic

Specifications

Finish: Chrome
Material: Brass
Water Pressure: 0.05MPa~1.0MPa

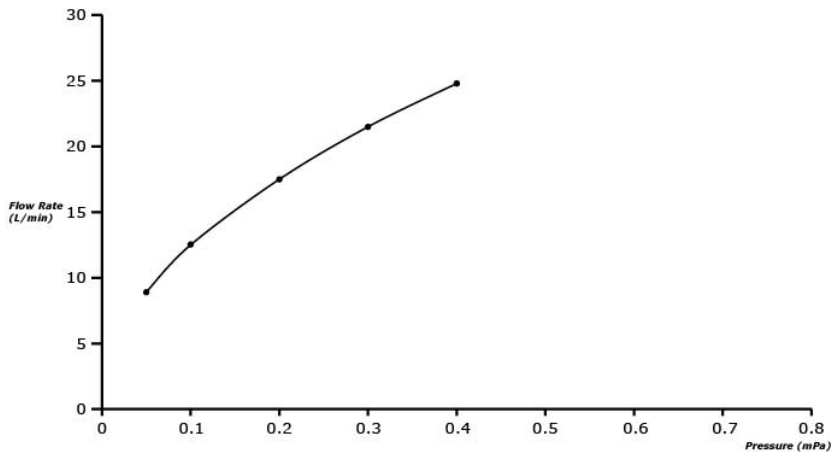
Parts description

- **TBP02001B**
Bath Spout



Flow Rate

TBP02001B + TBP02301B



Flow Rate

TBP02001B + TBP02302B

