

*GO Series  
Single Lever Lavatory Faucet  
(Side handle)  
(w/ Pop-up Waste)*



## **F**eatures

- Design Concept is Gorgeous and Organic.

## **S**pecifications

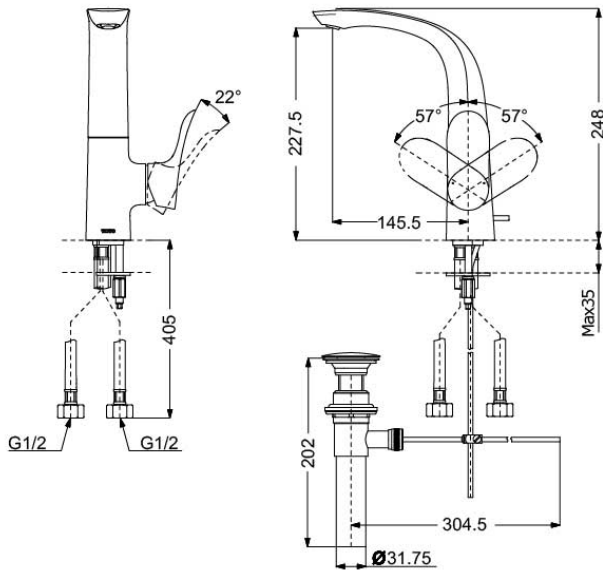
Finish: Chrome  
Material: Brass  
Water Pressure: 0.05Mpa~1.0Mpa

## **P**arts description

- **TLG01309B**  
Single Lever Lavatory Faucet (Side handle)  
(w/ Pop-up Waste)



TLG01309B



★ Installation hole =  $\varnothing$ 35

(J)Recommended Dimension

TLG01309B

FAUCETS

## Flow Rate

TLG01309B

