

GS Series  
Single Lever Lavatory Faucet  
(Tall Vessel) (w/ Pop-up Waste)



### Features

- Design Concept is Gorgeous and Regal
- Long lasting, COMFORT GLIDE mechanism for a smooth operation
- High corrosion resistance plating
- TOTO aerated water technology, ECOCAP adds air to the water to achieve full water jet with less amount of water usage

### Specifications

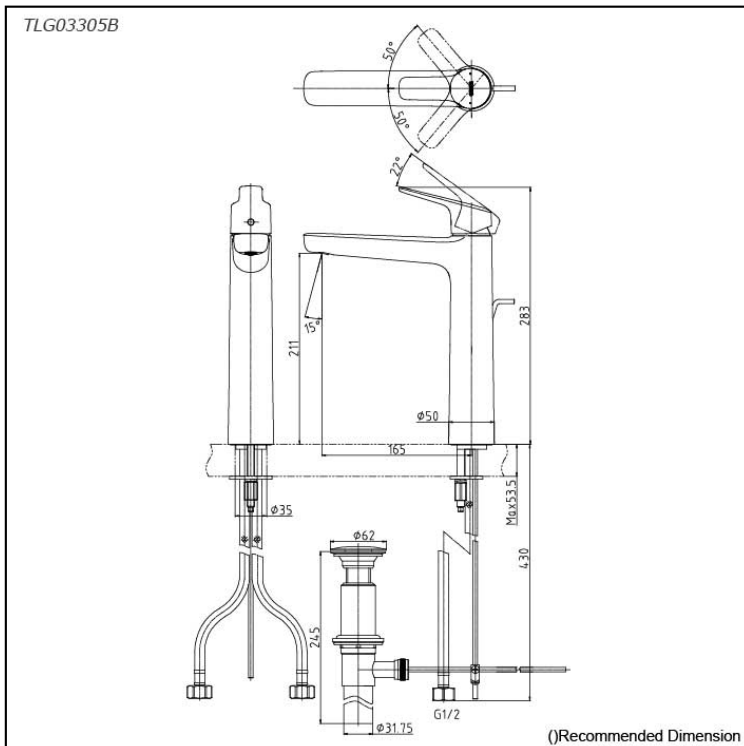
Finish: Chrome  
Material: Brass  
Water Pressure: 0.05MPa~1.0MPa

### Parts description

- **TLG03305B**  
Single Lever Lavatory Faucet (Tall Vessel)  
(w/ Pop-up Waste)



reddot award 2018  
winner



### Flow Rate

TLG03305B

