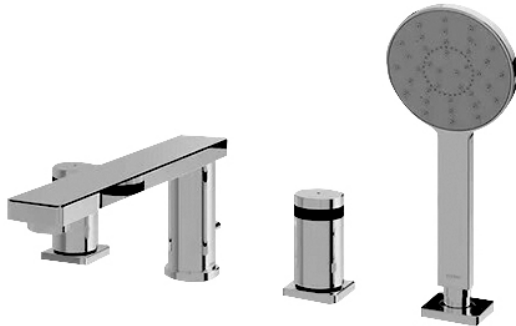


MONO
Bath & Shower Set
(4-Holes)



Features

- Contemporary styling
- Durable finishes
- Brass valve bodies

Specifications

Finish: Nickel Chrome

Water Pressure: 0.05MPa~0.75MPa

Parts description

- **TX447SM**
Bath & Shower Set (4-Holes)

