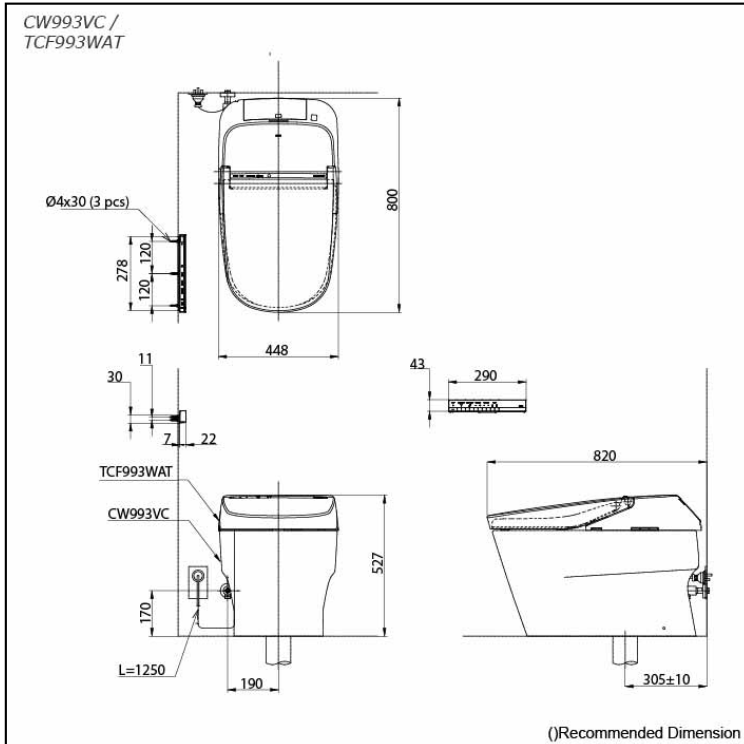


NEOREST XH II Luxurious Smart Toilet



Neorest XH II carrying innovative Actilight Technology



Features

- Luxury, stylish and elegant design
- Hybrid Ecology System
 - WATER SAVING dual flush 6 / 3L
 - Minimum required water pressure only at 0.2MPa (Dynamic)
- TORNADO FLUSH for powerful flushing effect with less amount of water
- Integral WASHLET features front and rear warm water washing
- Revolutionary technology, ACTILIGHT, keeps the toilet clean on its own, ridding it both visible and invisible waste
- Automatic operation: Lid opens, closes and toilet flushes when sensor is activated
- Auto Soft light function usable for night time usage

ACTILIGHT, cutting-edge technology. Photocatalytic glaze with UV light fired onto the bowl that breaks down microscopic waste particles

Specifications

Flush system: TORNADO FLUSH

Water Use: 6L / 3L

Rough-in: 305 mm (S-Trap)

Bowl Shape: Elongated

Water Pressure: 0.2MPa~0.75MPa

Power Rating: 220~240V, 50/60Hz,
841~851W

Length of Power Cord: 1.2 m

Material: Bowl -Vitreous China
Seat & Cover -Plastic
Remoter Controller
-Aluminium

Size: 448W x 820D x 527H mm

Parts description

- CW993VC
Elongated Closet Bowl
- TCF993WAT
WASHLET unit

Optional Parts

- T53P100VR
Floor Flange

Colors

White (CEFIONTECT)