

Aerial Fixed Shower Head
(Wall Type)



Features

- Aerial Pulse**

Aerated water with a pulsating function

Less water to produce a voluminous flow of water regardless of the showerhead size

Specifications

Water Pressure : 0.05 Mpa ~ 0.75 Mpa

Finish: Nickel Chrome

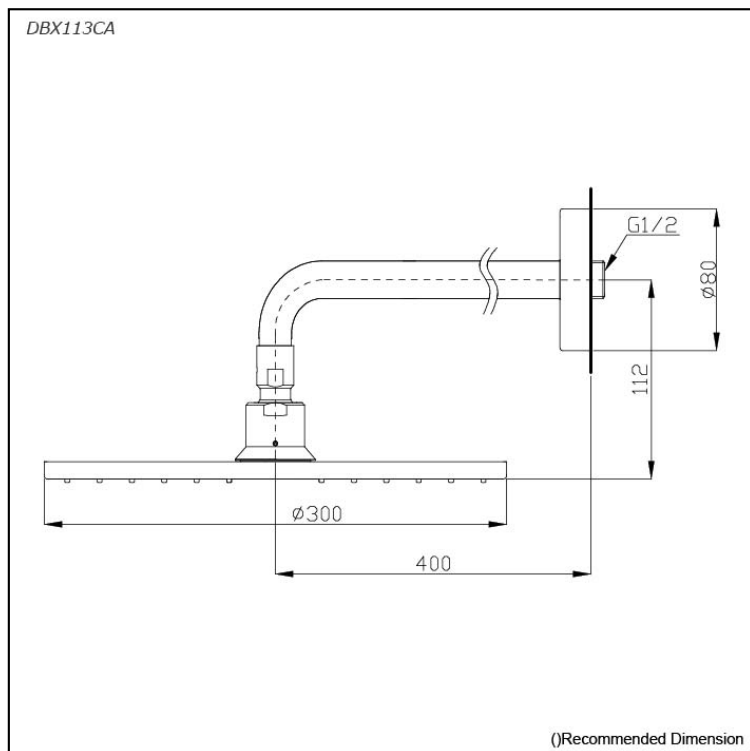
Shape: Round

Size: Diameter: 300mm

Parts description

- DBX113CA**

Aerial Fixed Shower Head (Wall Type)



Flow Rate

DBX113CA

