

GS Series
Bidet Faucet
(w/ Pop-up Waste)

Features

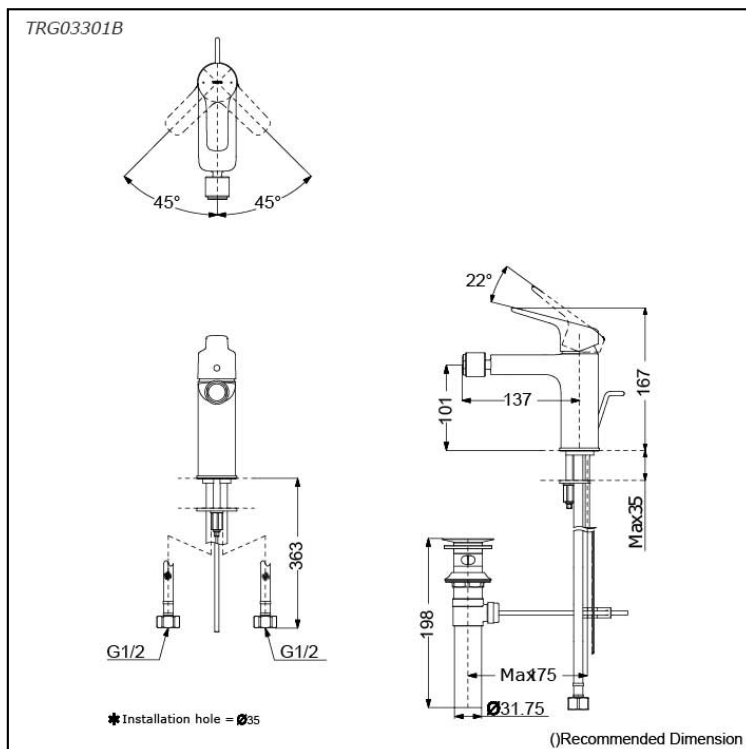
- Gorgeous and Smart Design Concept

Specifications

Finish: Chrome
Material: Brass
Water Pressure: 0.05MPa~1.0MPa

Parts description

- **TRG03301B**
Bidet Faucet (w/ Pop-up Waste)



Flow Rate

TRG03301B

