

CRES
Single Lever Lavatory Faucet
(Cold Water only) (w/o Pop-up Waste)



Features

- Sharp-lined smart design exclusively for CRES series
- Durable finishes

Specifications

Water Pressure: 0.05MPa~0.75MPa

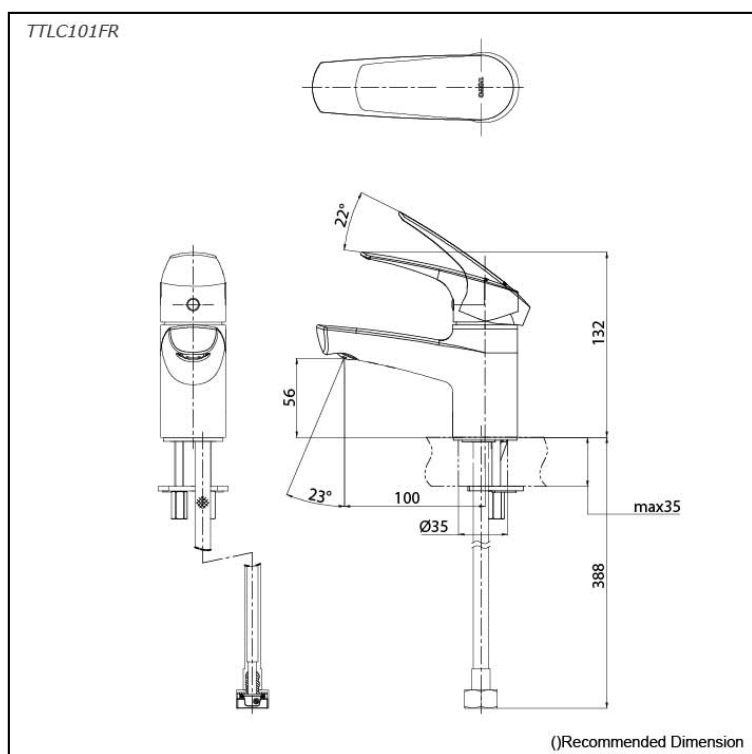
Hole: 1 hole

Finish: Nickel Chrome

Material: Brass

Parts description

- **TTL101FR**
Single Lever Lavatory Faucet (Cold Water only) w/o Pop-Up Waste



Flow Rate

TTLIC101FR

