

CI CONTEMPORARY
Aerial Fixed Shower Head
(Wall Type)



Features

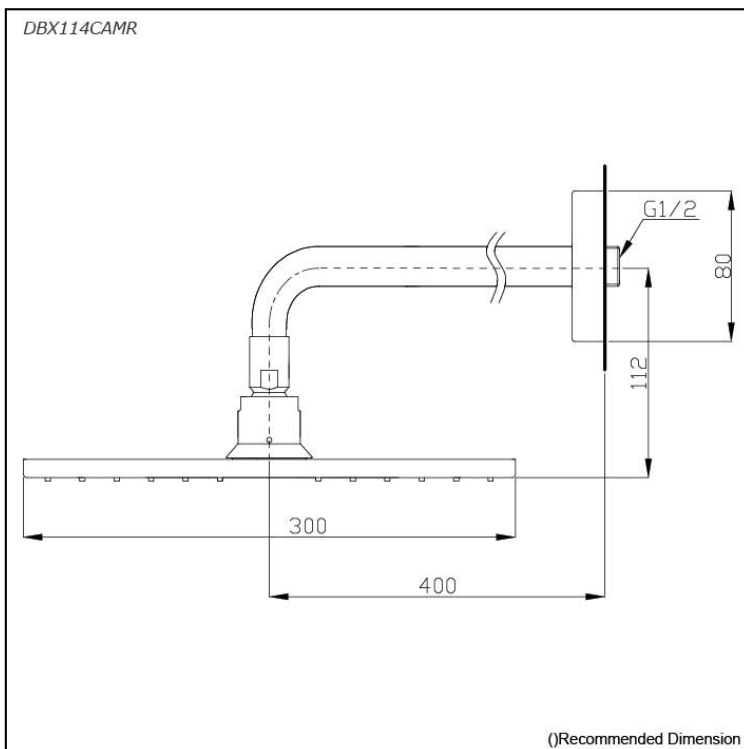
- Aerial Pulse**
 Aerated water with a pulsating function
 Less water to produce a voluminous flow of water regardless of the showerhead size

Specifications

Finish: Nickel Chrome
 Shape: Square
 Dimension: 300 x 300 mm
 Water Pressure: 0.05MPa~0.75MPa

Parts description

- DBX114CAMR**
 Aerial Fixed Shower Head (Wall Type)



()Recommended Dimension

Flow Rate

DBX114CAMR

