

**CRES**  
Single Lever Lavatory Faucet  
(Cold Water only) (w/o Pop-up Waste)



### Features

- Sharp-lined smart design exclusively for CRES series
- Durable finishes

### Specifications

Water Pressure: 0.05MPa~0.75MPa

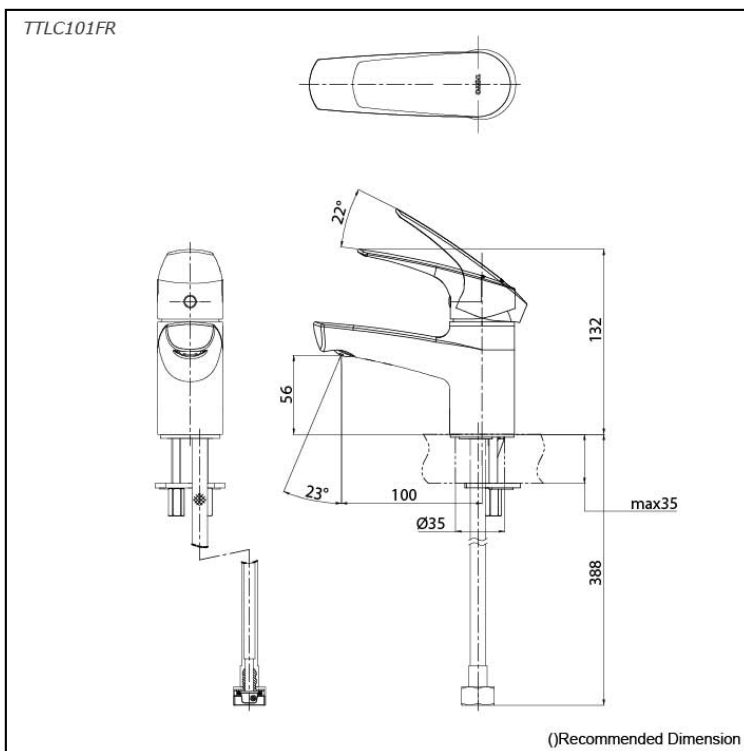
Hole: 1 hole

Finish: Nickel Chrome

Material: Brass

### Parts description

- **TTL101FR**  
Single Lever Lavatory Faucet (Cold Water only) w/o Pop-Up Waste



# Flow Rate

TTL101FR

