

CRES
Single Lever Lavatory Faucet
(w/o Pop-up Waste)



Features

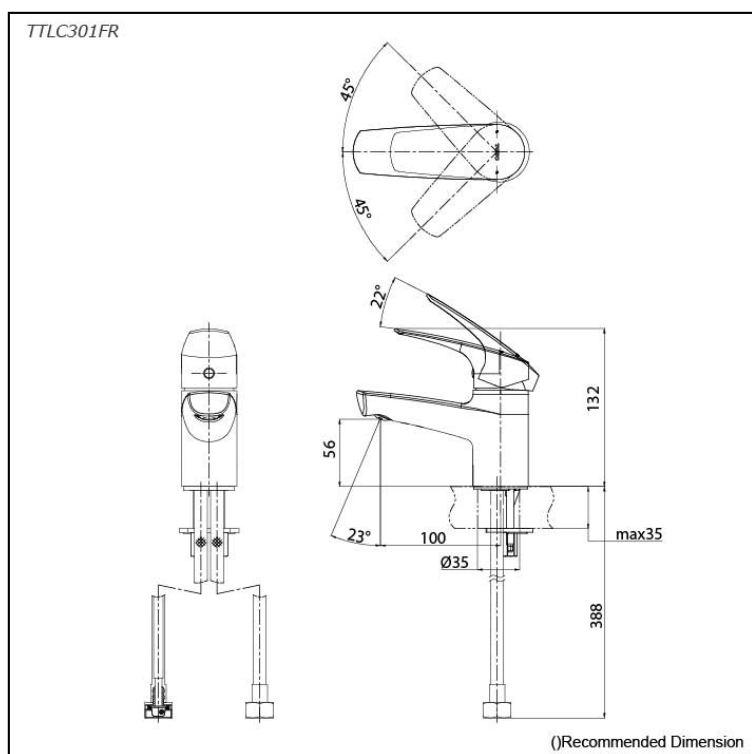
- Sharp-lined smart design exclusively for CRES series
- Durable finishes
- Smooth operation with lever type

Specifications

Water Pressure: 0.05MPa~0.75MPa
 Hole: 1 hole
 Finish: Nickel Chrome
 Material: Brass

Parts description

- **TTL301FR**
Single Lever Lavatory Faucet w/o Pop-Up Waste



Flow Rate

TTL301FR

