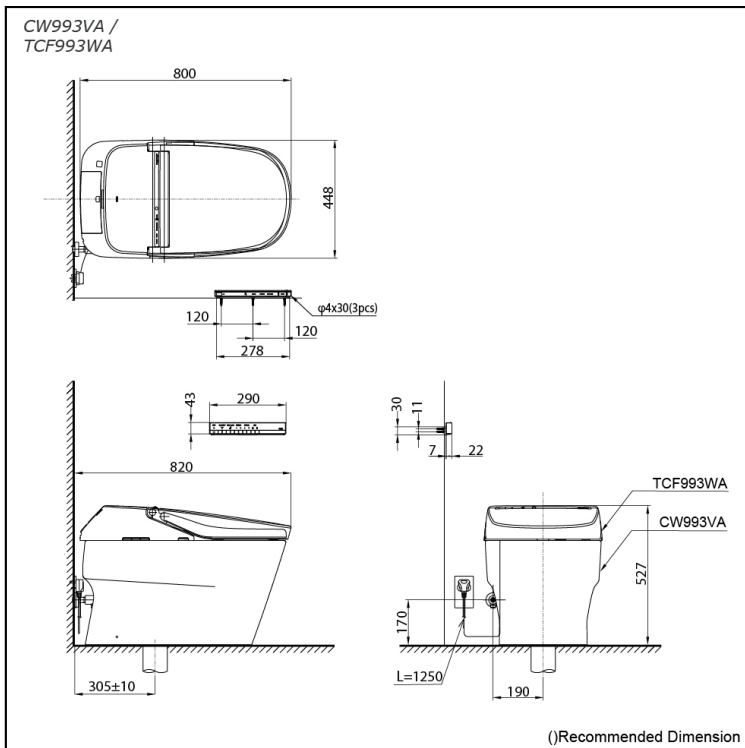




Neorest XH II carrying innovative Actilight Technology



Features

- Luxury, stylish and elegant design
- Hybrid Ecology System
 - WATER SAVING dual flush 3.8 / 3L
 - Minimum required water pressure only at 0.05MPa (Dynamic)
- TORNADO FLUSH for powerful flushing effect with less amount of water
- Integral WASHLET features front and rear warm water washing
- Revolutionary technology, ACTILIGHT, keeps the toilet clean on its own, ridding it both visible and invisible waste
- Automatic operation: Lid opens, closes and toilet flushes when sensor is activated
- Auto Soft light function usable for night time usage

ACTILIGHT, cutting-edge technology. Photocatalytic glaze with UV light fired onto the bowl that breaks down microscopic waste particles

Specifications

Flush system: TORNADO FLUSH

Water Use: 3.8L / 3L

Rough-in: 305 mm

Bowl Shape: Elongated

Water Pressure: 0.05MPa~0.75MPa

Power Rating: 220~240V, 50/60Hz, 841~851W

Length of Power Cord: 1.2 m

Material: Bowl -Vitreous China
Seat & Cover -Plastic
Remote Controller -Aluminium

Size: 448Wx820Dx527H mm

Parts description

- **CW993VA**
Elongated Closet Bowl (S-Trap)
(Rough-in 305)
- **TCF993WA**
WASHLET unit

Optional Parts

- T53P100VR
Floor Flange

Colors

White (CEFIONTECT)