

GS Series  
Bidet Faucet  
(w/ Pop-up Waste)

### Features

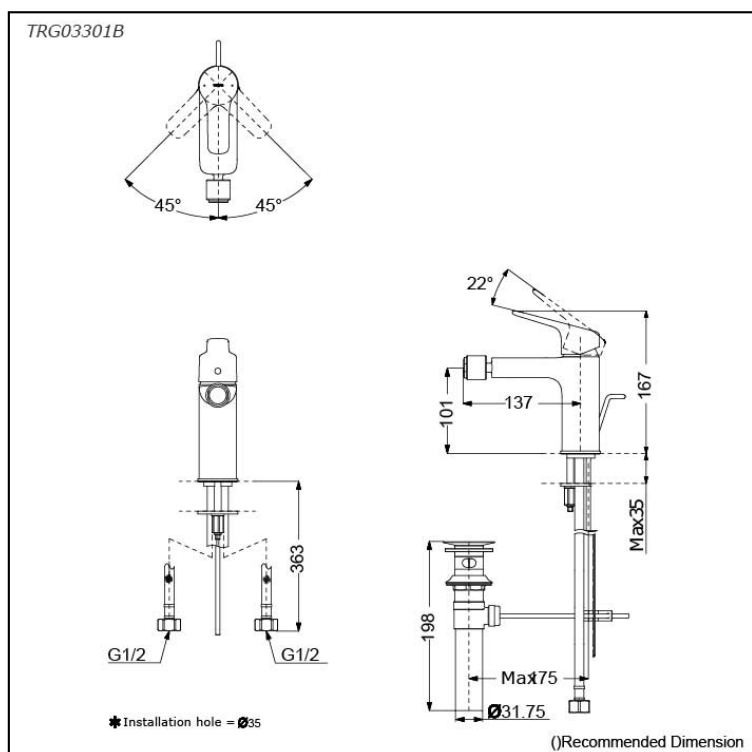
- Gorgeous and Smart Design Concept

### Specifications

Finish: Chrome  
Material: Brass  
Water Pressure: 0.05MPa~1.0MPa

### Parts description

- **TRG03301B**  
Bidet Faucet (w/ Pop-up Waste)



### Flow Rate

TRG03301B

