

CRES
Single Lever Lavatory Faucet
(Cold Water only) (w/o Pop-up Waste)



Features

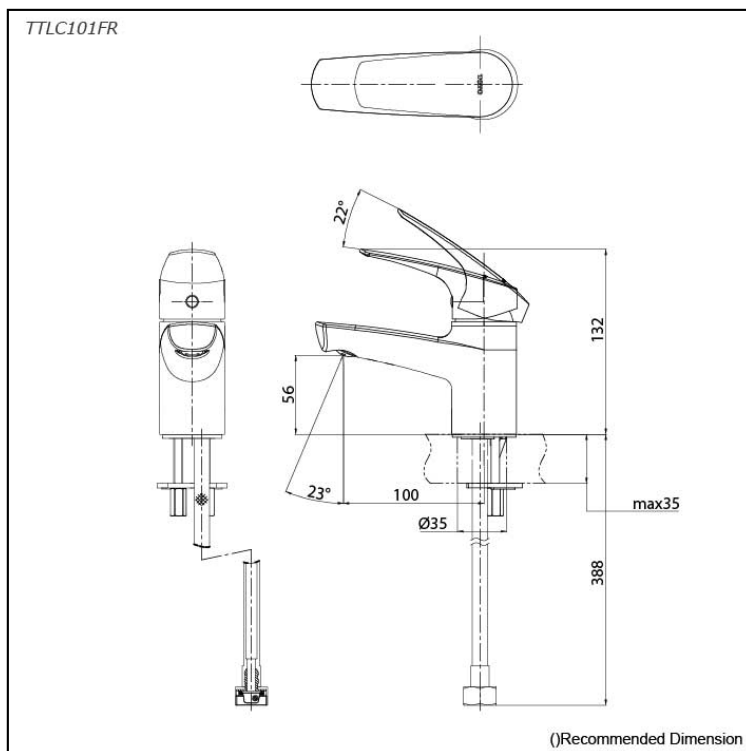
- Sharp-lined smart design exclusively for CRES series
- Durable finishes

Specifications

Water Pressure: 0.05MPa~0.75MPa
Hole: 1 hole
Finish: Nickel Chrome
Material: Brass

Parts description

- **TTLC101FR**
Single Lever Lavatory Faucet (Cold Water only) w/o Pop-Up Waste



Flow Rate

TTLC101FR

