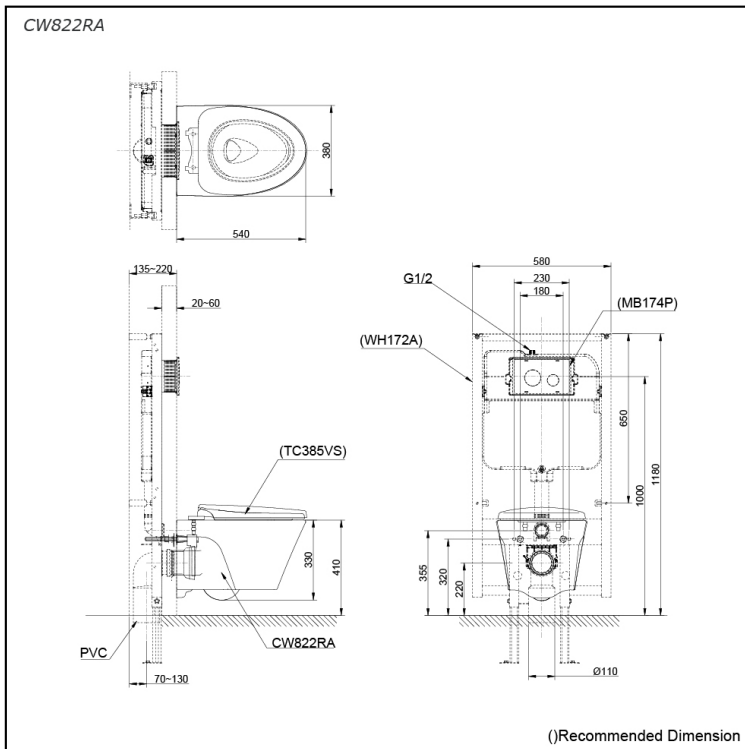


AP SERIES WALL HUNG TOILET



Features

- TORNADO FLUSH for powerful flushing effect with less amount of water
- CEFIONTECT Technology: super smooth, ion barrier glazing for a clean toilet bowl
- Sleek skirted design with concealed trapway for easy cleaning
- WATER SAVING structure
- RIMLESS DESIGN bowl ensures easy cleaning and ultimate hygiene

Specifications

Flush system:	TORNADO FLUSH
Water Use:	4.5L / 3L
Rough-in:	H=220 mm
Bowl Shape:	Elongated
Water Pressure:	0.05MPa~0.75MPa
Size:	380Wx540Dx330H mm

Parts description

Fittings and Seat & Cover are not included

- **CW822RA**
Elongated Wall Hung Closet Bowl (P-Trap)
(Rough-in 220)

Optional Parts

- WH172A
Concealed Cistern w/Frame
- TC385VS
Soft close Seat & Cover
- MB174P
Flush Panel

NOTE

- **DO NOT COUPLE THIS WC WITH FLUSH VALVE**

Colors

White