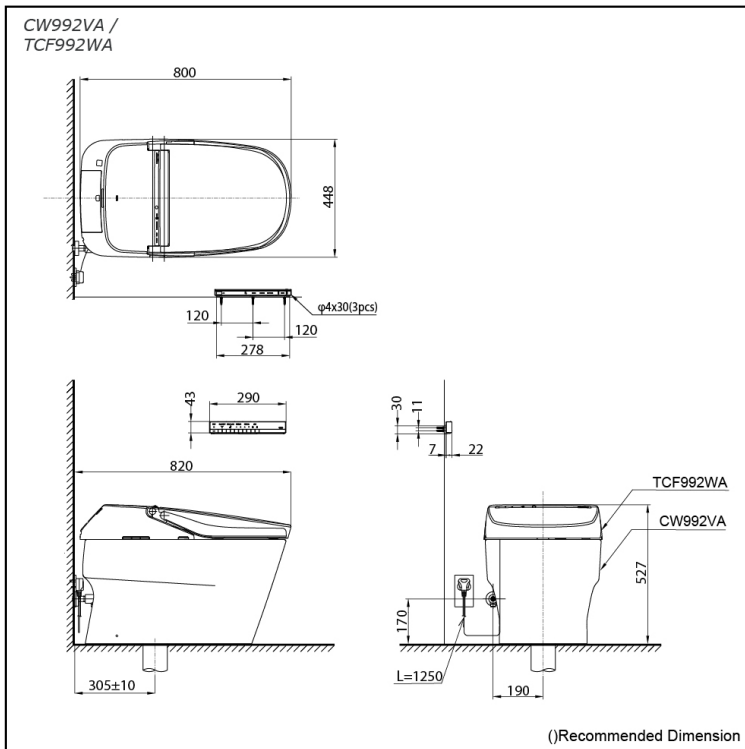


NEOREST XH I Luxurious Smart Toilet



Features

- Luxury, stylish and elegant design
- Hybrid Ecology System
 - WATER SAVING dual flush 3.8 / 3L
 - Minimum required water pressure only at 0.05MPa (Dynamic)
- TORNADO FLUSH for powerful flushing effect with less amount of water
- Integral WASHLET features front and rear warm water washing
- EWATER+ automatically spreads out and keeps clean toilet bowl and nozzle by preventing bacteria with sanitizing effect
- Automatic operation: Lid opens, closes and toilet flushes when sensor is activated
- Auto Soft light function usable for night time usage

EWATER+, highly effective sanitizer created by electrolyzed chloride ion in tap water. After use, it returns back to original state, environmental friendly

Specifications

Flush system: TORNADO FLUSH

Water Use: 3.8L / 3L

Rough-in: 305 mm

Bowl Shape: Elongated

Water Pressure: 0.05MPa~0.75MPa

Power Rating: 220~240V, 50/60Hz, 841~851W

Length of Power Cord: 1.2 m

Material: Bowl -Vitreous China
Seat & Cover -Plastic
Remoter Controller -Aluminium

Size: 448W x 820D x 527H mm

Parts description

- **CW992VA**
Elongated Closet Bowl (S-Trap)
(Rough-in 305)
- **TCF992WA**
WASHLET unit

Optional Parts

- T53P100VR
Floor Flange

Colors

White (CEFIONTECT)