

GS Series
Bath Filler without Shower
(3-Holes)



Features

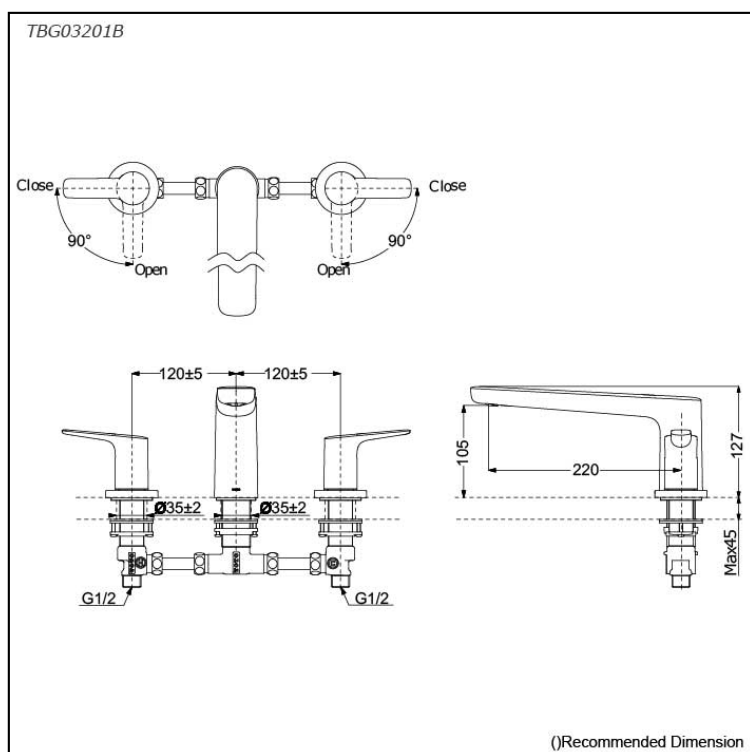
- Design concept is gorgeous and smart
- Safety control with heat insulating handle.
- High corrosion resistance plating

Specifications

Finish: Chrome
Material: Brass
Water Pressure: 0.07MPa~1.0MPa

Parts description

- **TBG03201B**
Bath Filler without Shower (3-Holes)



Flow Rate

TBG03201B

