

GA Series  
Single Lever Lavatory Faucet  
(Semi-tall Vessel) (w/ Pop-up Waste)



### Features

- Design Concept is Gorgeous and Advance
- Long lasting, comfort glide mechanism for a smooth operation
- High corrosion resistance plating
- TOTO aerated water technology, ECOCAP adds air to the water to achieve full water jet with less amount of water usage.

### Specifications

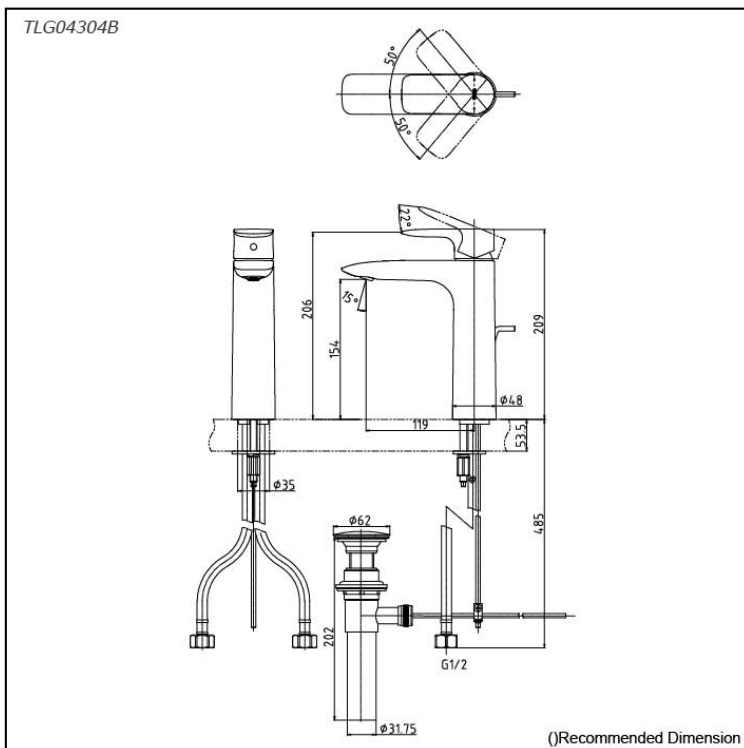
Finish: Chrome  
Material: Brass  
Water Pressure: 0.05MPa~1.0MPa

### Parts description

- **TLG04304B**  
Single Lever Lavatory Faucet (Semi-tall Vessel) (w/ Pop-up Waste)



reddot award 2018  
winner



### Flow Rate

TLG04304B

