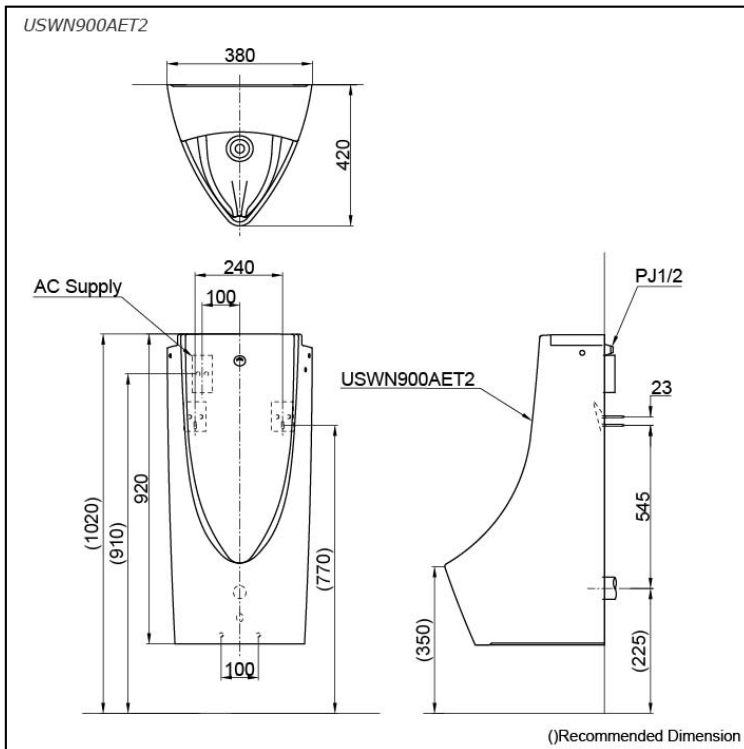


Wall Hung Urinal
w/ Built-in Sensor



Features

- Compact design with privacy shields
- Universal low Lip design: Easy approach for young children
- CEFIONTECT technology: super smooth, ion barrier glazing for a clean urinal
- Water saving effect with powerful flushing action
- Integral trap
- Easy and flexible installation

Specifications

Flush Volume: 0.5L

Size: 380W x 420D x 920H mm

Water Pressure: 0.07MPa ~ 0.75MPa

Power Supply: AC220-240V, 50/60Hz

Parts description

Fittings included

- **USWN900AET2**
Wall Hung Urinal Back Inlet Type
w/ Built-in Sensor

Colors

White

Certifications

