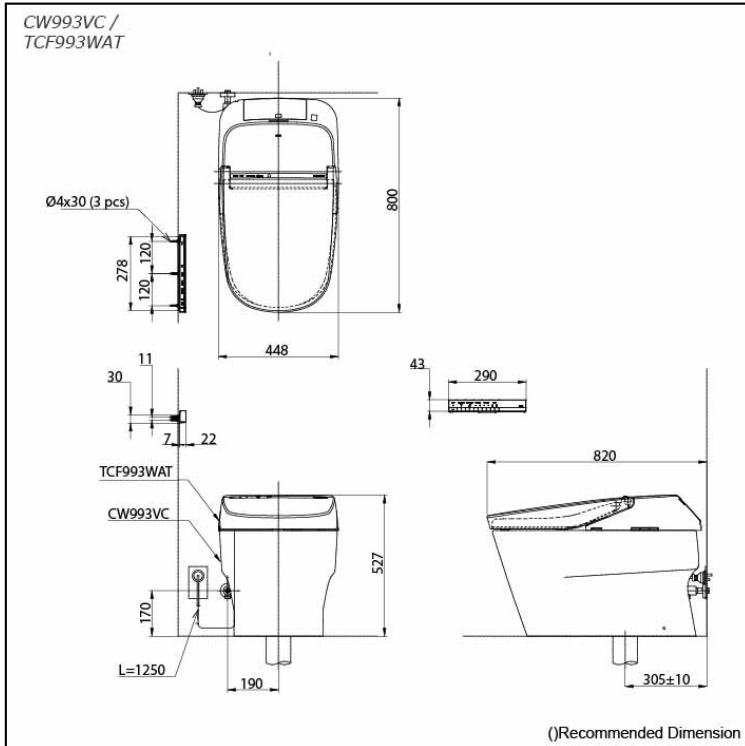


NEOREST XH II Luxurious Smart Toilet



Neorest XH II carrying innovative Actilight Technology



Features

- Luxury, stylish and elegant design
- Hybrid Ecology System
 - WATER SAVING dual flush 6 / 3L
 - Minimum required water pressure only at 0.2MPa (Dynamic)
- TORNADO FLUSH for powerful flushing effect with less amount of water
- Integral WASHLET features front and rear warm water washing
- Revolutionary technology, ACTILIGHT, keeps the toilet clean on its own, ridding it both visible and invisible waste
- Automatic operation: Lid opens, closes and toilet flushes when sensor is activated
- Auto Soft light function usable for night time usage

ACTILIGHT, cutting-edge technology. Photocatalytic glaze with UV light fired onto the bowl that breaks down microscopic waste particles

Specifications

Flush system:	TORNADO FLUSH
Water Use:	6L / 3L
Rough-in:	305 mm (S-Trap)
Bowl Shape:	Elongated
Water Pressure:	0.2MPa~0.75MPa
Power Rating:	220~240V, 50/60Hz, 841~851W
Length of Power Cord:	1.2 m
Material:	Bowl -Vitreous China Seat & Cover -Plastic Remoter Controller -Aluminium
Size:	448W x 820D x 527H mm

Parts description

- **CW993VC**
Elongated Closet Bowl
- **TCF993WAT**
WASHLET unit

Optional Parts

- T53P100VR
Floor Flange

Colors

White (CEFIONTECT)

Certifications

