

CI CONTEMPORARY
2 Handle Lavatory Faucet (w/ Pop-Up Waste)
(3 Holes)



Features

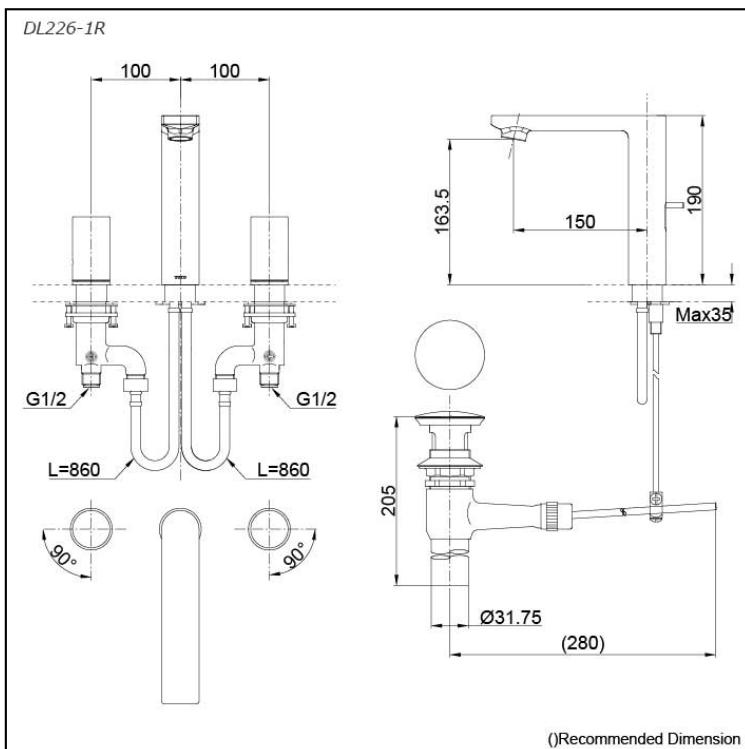
- Contemporary styling
- TOTO aerated water technology, ECOCAP adds air to the water to achieve full water jet with less amount of water usage

Specifications

Finish: Chrome
 Material: Brass
 Water Pressure: 0.05MPa~0.75MPa

Parts description

- **DL226-1**
 2 Handle Lavatory Faucet
 (w/ Pop-Up Waste)



Flow Rate

DL226-1R

