

RENESSE
Single Lever Lavatory Faucet
(w/ Pop-up Waste)



Features

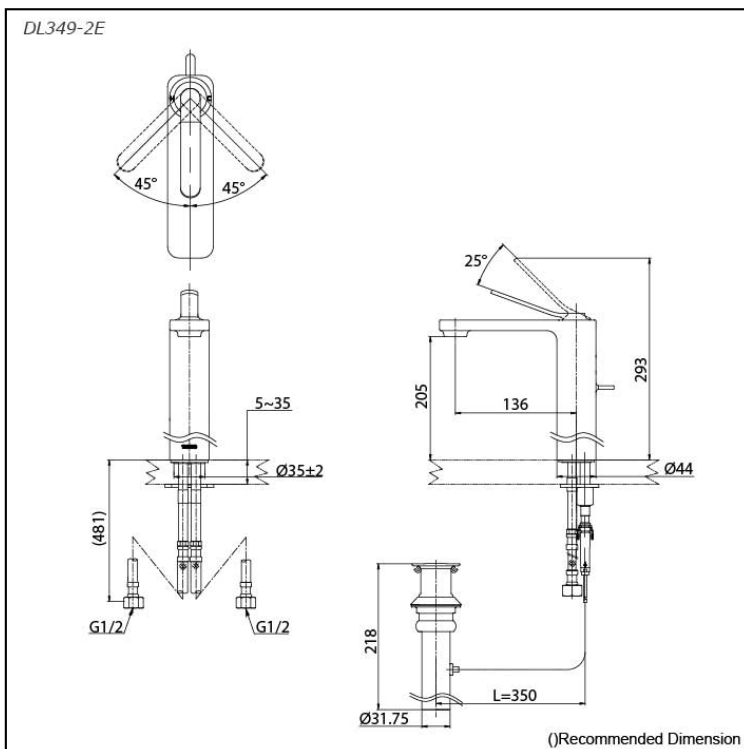
- Stylish design for RENESSE Suite
- TOTO aerated water technology, ECOCAP adds air to the water to achieve full water jet with less amount of water usage
- Smooth Operation with lever type

Specifications

Finish: Nickel Chrome
Material: Brass
Water Pressure: 0.05MPa~0.75MPa

Parts description

- **DL349-2E**
Single Lever Lavatory Faucet
(w/ Pop-up Waste)



Flow Rate

DL349-2E

