

RENESSE
Single Lever Lavatory Faucet
(w/o Pop-up Waste)



Features

- Modern, elegant styling
- Durable finishes
- DZR Brass valve bodies
- Ceramic disk valve cartridge for drip-free performance
- Pop-up drain
- Splash-free aerator

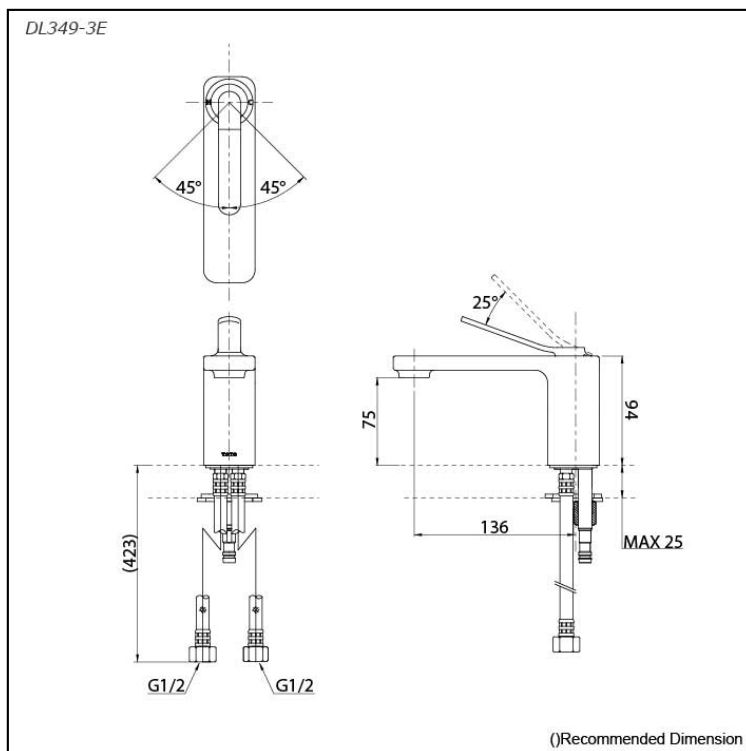
Specifications

Finish: Nickel Chrome

Water Pressure: 0.05MPa~0.75MPa

Parts description

- **DL349-3E**
Single Lever Lavatory Faucet
(w/o Pop-up Waste)



Flow Rate

DL349-3E

