

GS Series  
Bath Filler without Shower  
(3-Holes)



### Features

- Design concept is gorgeous and smart
- Safety control with heat insulating handle.
- High corrosion resistance plating
- The PVD finishes provides both beauty and strength, adding rich color to the bathroom space

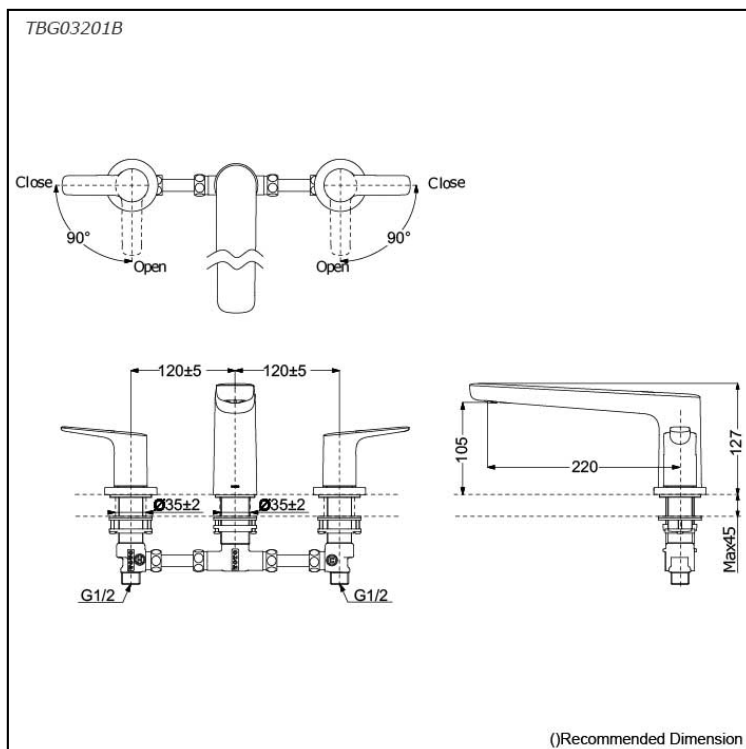
### Specifications

Material: Brass

Water Pressure: 0.07MPa~1.0MPa

### Parts description

- **TBG03201B**  
Bath Filler without Shower (3-Holes)



## Flow Rate

TBG03201B

