

GM SERIES
Bath Filler without Shower
 (3-Holes)



Features

- Bold parallel arches and reflective curves in an assertive design
- A majestic dignity of outstanding architecture - the arch of its spout and columnar body imposing a further accentuated presence that highlights its edges
- High corrosion resistance plating
- Easy Installation and Usage
- The PVD finishes provides both beauty and strength, adding rich color to the bathroom space

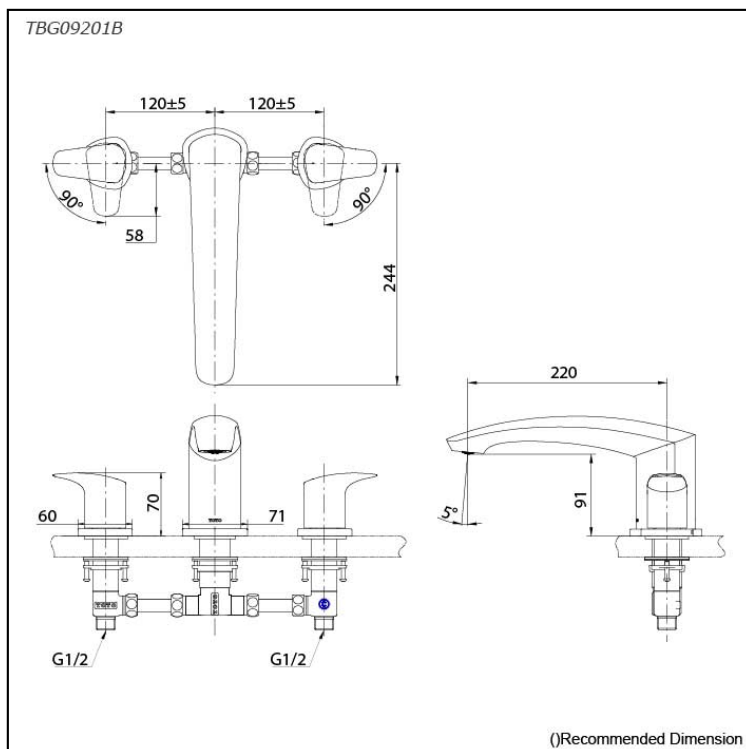
Specifications

Material: Brass

Water Pressure: 0.05MPa~1.0MPa

Parts description

- **TBG09201B**
 Bath Filler without Shower
 (3-Holes)



Flow Rate

TBG09201B

