

GF Series
Bath Spout



Features

- Refined cylinder with fine finished inspire a high-end luxury feel
- Delicate workmanship develop a hairline and polished finish that generates a rich contrast in textures that provide delightful feel to the touch
- High corrosion resistance plating
- Easy Installation and Usage
- The PVD finishes provides both beauty and strength, adding rich color to the bathroom space

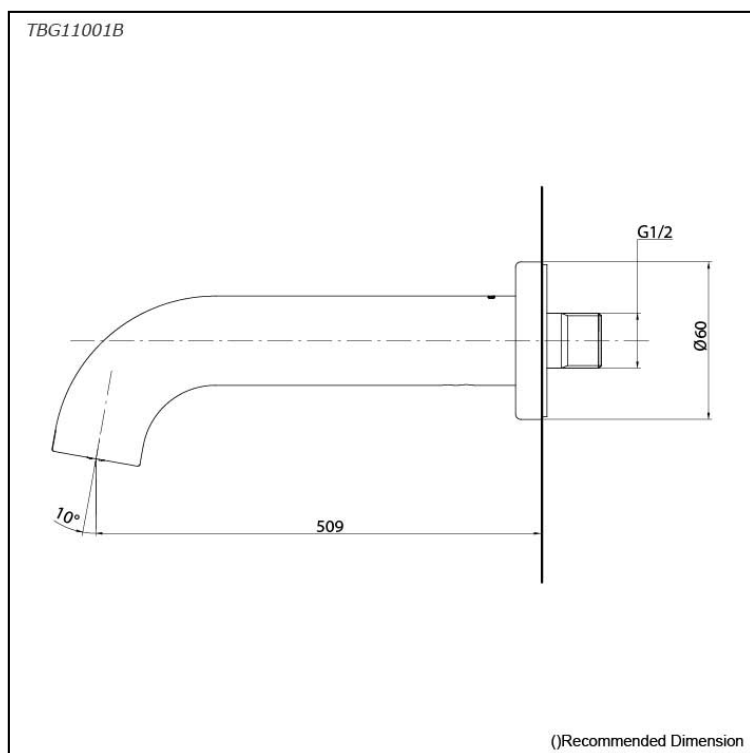
Specifications

Material: Brass

Water Pressure: 0.05MPa~1.0MPa

Parts description

- **TBG11001B**
Bath Spout



Flow Rate

TBG11001B

