

ZL Series
Bath Spout

Features

- Design Concept is Gorgeous and Organic
- The PVD finishes provides both beauty and strength, adding rich color to the bathroom space

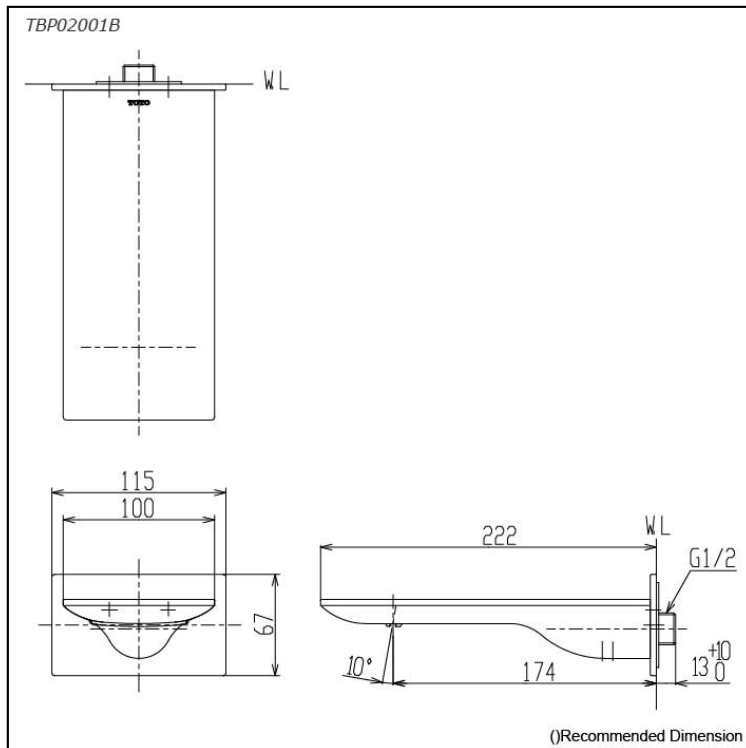
Specifications

Material: Brass

Water Pressure: 0.05MPa~1.0MPa

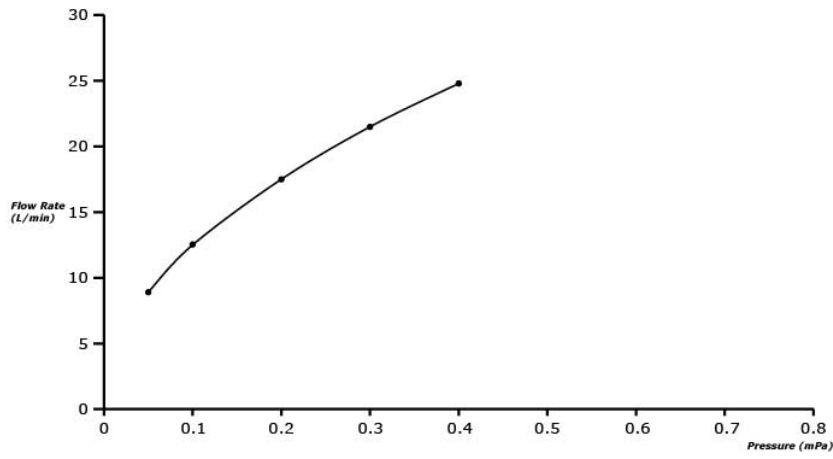
Parts description

- **TBP02001B**
Bath Spout



Flow Rate

TBP02001B + TBP02301B



Flow Rate

TBP02001B + TBP02302B

