

ZL Series
Bath Filler without Shower
(3-Holes)



Features

- Design Concept is Gorgeous and Organic
- Safety control with heat insulating handle.
- The PVD finishes provides both beauty and strength, adding rich color to the bathroom space

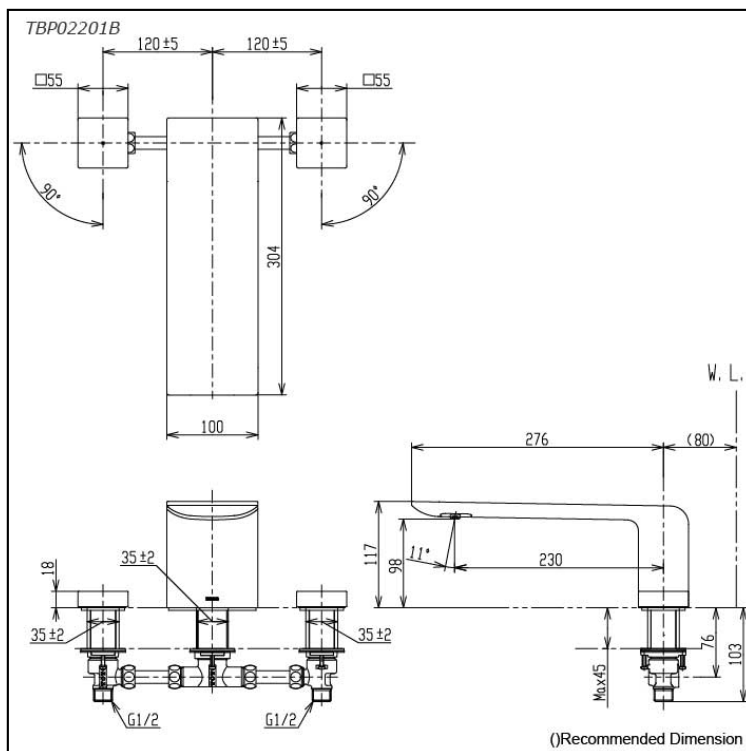
Specifications

Material: Brass

Water Pressure: 0.05MPa~1.0MPa

Parts description

- **TBP02201B**
Bath filler without shower (3-Holes)



Flow Rate

TBP02201B

