

GO Series
Single Lever Lavatory Faucet
 (Semi-tall Vessel) (w/ Pop-up Waste)



Features

- Design Concept is Gorgeous and Organic.
- Long lasting, comfort glide mechanism for a smooth operation
- High corrosion resistance plating
- TOTO aerated water technology, ECOCAP adds air to the water to achieve full water jet with less amount of water usage.
- The PVD finishes provides both beauty and strength, adding rich color to the bathroom space

Specifications

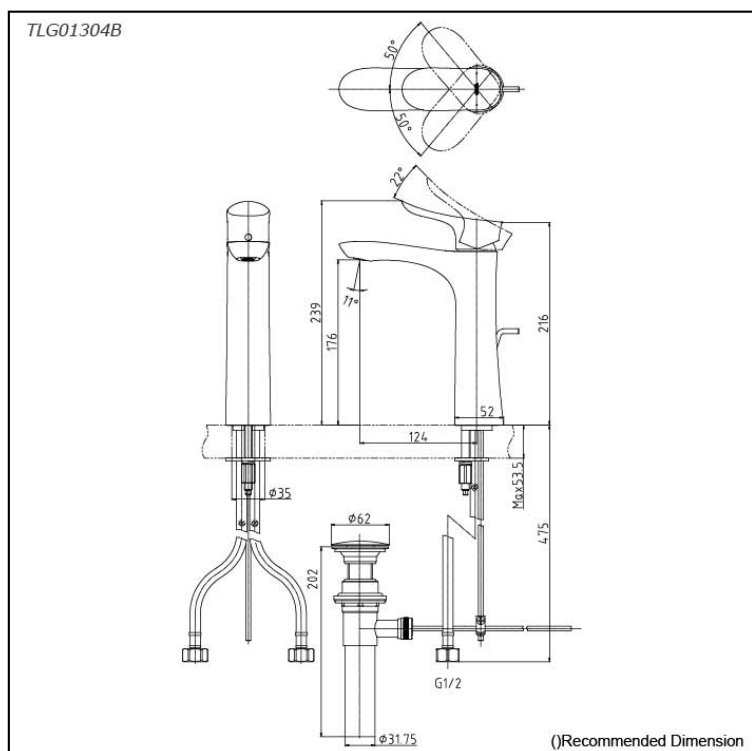
Material: Brass
 Water Pressure: 0.05MPa~1.0MPa

Parts description

- **TLG01304B**
 Single Lever Lavatory Faucet (Semi-tall Vessel) (w/ Pop-up Waste)



reddot award 2017
 best of the best



Flow Rate

TLG01304B

