

GO Series  
Single Lever Lavatory Faucet  
(Tall Vessel) (w/o Pop-up Waste)



### Features

- Design Concept is Gorgeous and Organic.
- Long lasting, comfort glide mechanism for a smooth operation
- High corrosion resistance plating
- TOTO aerated water technology, ECOCAP adds air to the water to achieve full water jet with less amount of water usage.
- The PVD finishes provides both beauty and strength, adding rich color to the bathroom space

### Specifications

Material: Brass

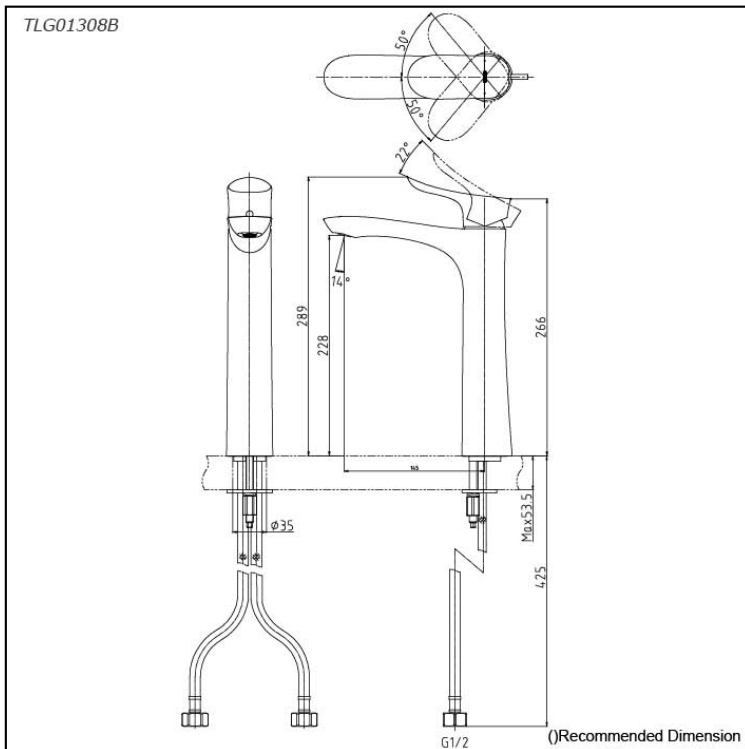
Water Pressure: 0.05MPa~1.0MPa

### Parts description

- **TLG01308B**  
Single Lever Lavatory Faucet (Tall Vessel)  
(w/o Pop-up Waste)



reddot award 2017  
best of the best



## Flow Rate

TLG01308B

