

GA Series
Single Lever Lavatory Faucet
(Semi-tall Vessel) (w/o Pop-up Waste)



Features

- Design Concept is Gorgeous and Advance
- Long lasting, comfort glide mechanism for a smooth operation
- High corrosion resistance plating
- TOTO aerated water technology, ECOCAP adds air to the water to achieve full water jet with less amount of water usage.
- The PVD finishes provides both beauty and strength, adding rich color to the bathroom space

Specifications

Material: Brass

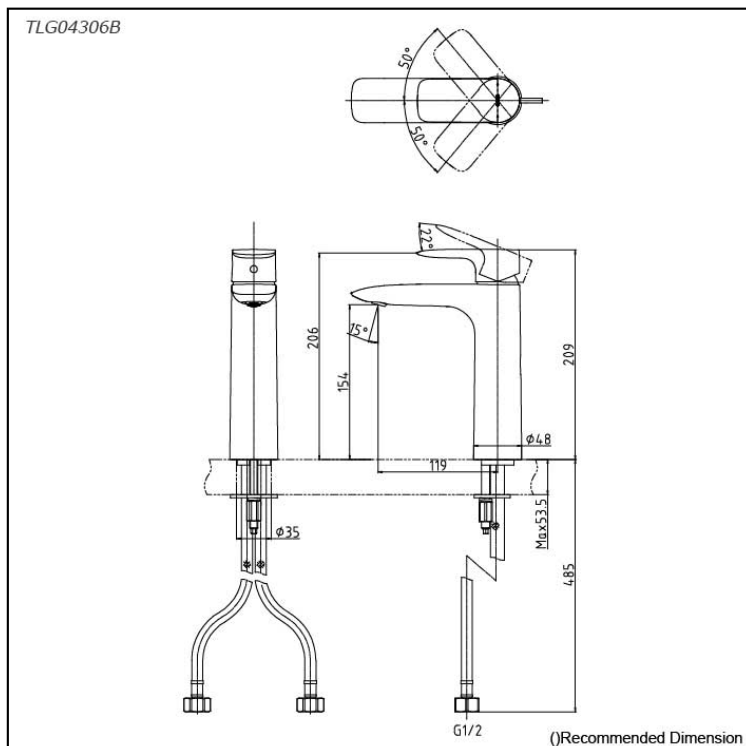
Water Pressure: 0.05MPa~1.0MPa

Parts description

- **TLG04306B**
Single Lever Lavatory Faucet (Semi-tall Vessel) (w/o Pop-up Waste)



reddot award 2018
winner



Flow Rate

TLG04306B

