

GE Series
Single Lever Lavatory Faucet
(Tall Vessel) (w/o Pop-up Waste)



Features

- A beauty of traditional craft in characteristic sculptural form
- V-shaped edge extends up to the end of the spout generate multi sided reflections
- Easy Installation and Usage
- Long lasting, COMFORT GLIDE mechanism for a smooth operation
- The PVD finishes provides both beauty and strength, adding rich color to the bathroom space

Specifications

Material: Brass

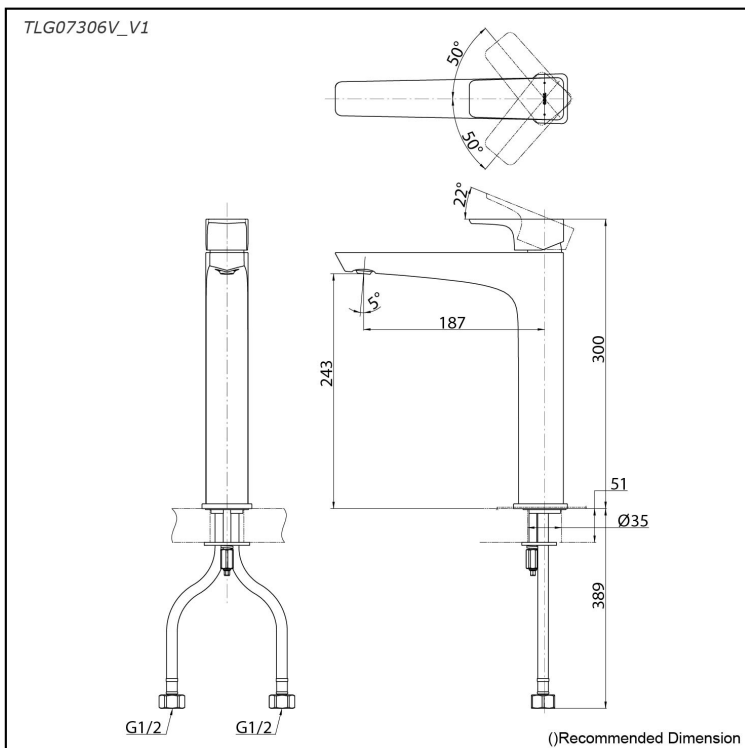
Water Pressure: 0.05MPa~1.0MPa

Parts description

- **TLG07306V_V1**
Single Lever Lavatory Faucet
(w/o Pop-up Waste)



reddot award 2019
winner



Flow Rate

TLG07306V_V1

