

GE Series
 Wall-Mount Single Lever Lavatory Faucet
 (Short Spout) (w/o Pop-up Waste)



Features

- A beauty of traditional craft in characteristic sculptural form
- V-shaped edge extends up to the end of the spout generate multi sided reflections
- Easy Installation and Usage
- Long lasting, COMFORT GLIDE mechanism for a smooth operation
- The PVD finishes provides both beauty and strength, adding rich color to the bathroom space

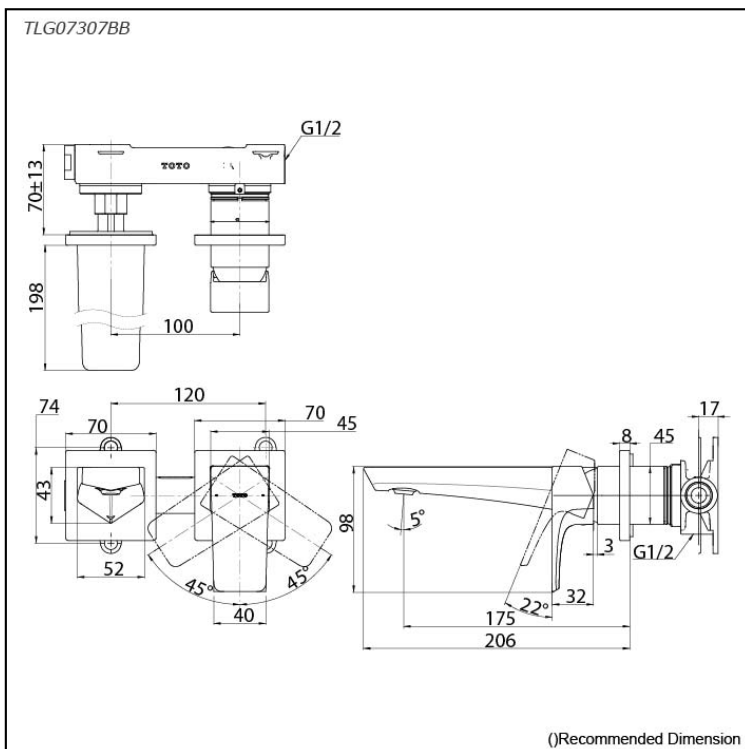
Specifications

Material: Brass

Water Pressure: 0.05MPa~1.0MPa

Parts description

- **TLG07307BB**
 Wall Mount Single Lever Lavatory Faucet
 (Short Spout) (w/o Waste Fittings)



Flow Rate

