

GM Series  
Bidet Faucet  
(w/ Pop-up Waste)



### Features

- Bold parallel arches and reflective curves in an assertive design
- A majestic dignity of outstanding architecture - the arch of its spout and columnar body imposing a further accentuated presence that highlights its edges
- Easy Installation and Usage
- The PVD finishes provides both beauty and strength, adding rich color to the bathroom space

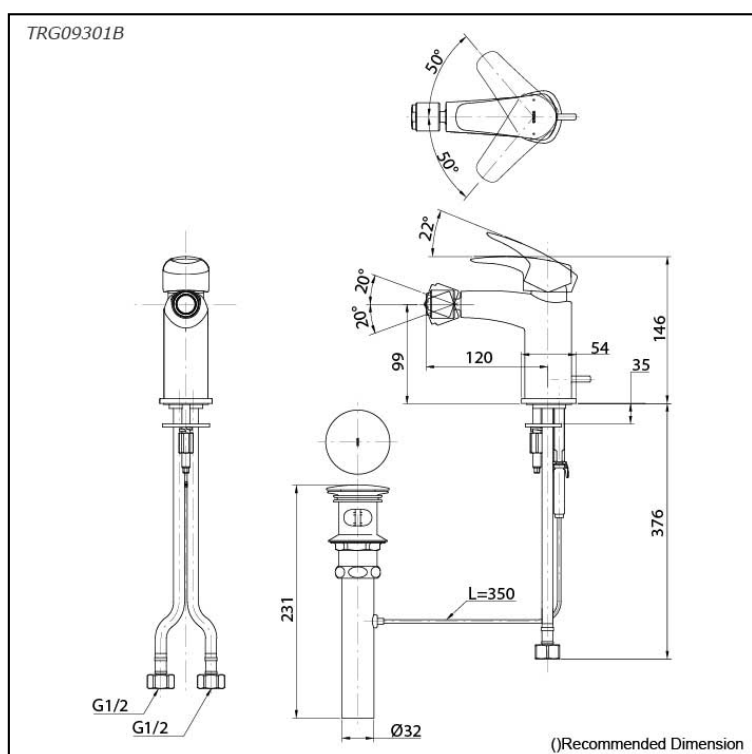
### Specifications

Material: Brass

Water Pressure: 0.05MPa~1.0MPa

### Parts description

- **TRG09301B**  
Bidet Faucet  
(w/ Pop-up Waste)



### Flow Rate

TRG09301B

