

**RENESSE**  
Single Lever Lavatory Faucet  
(w/ Pop-up Waste)



### Features

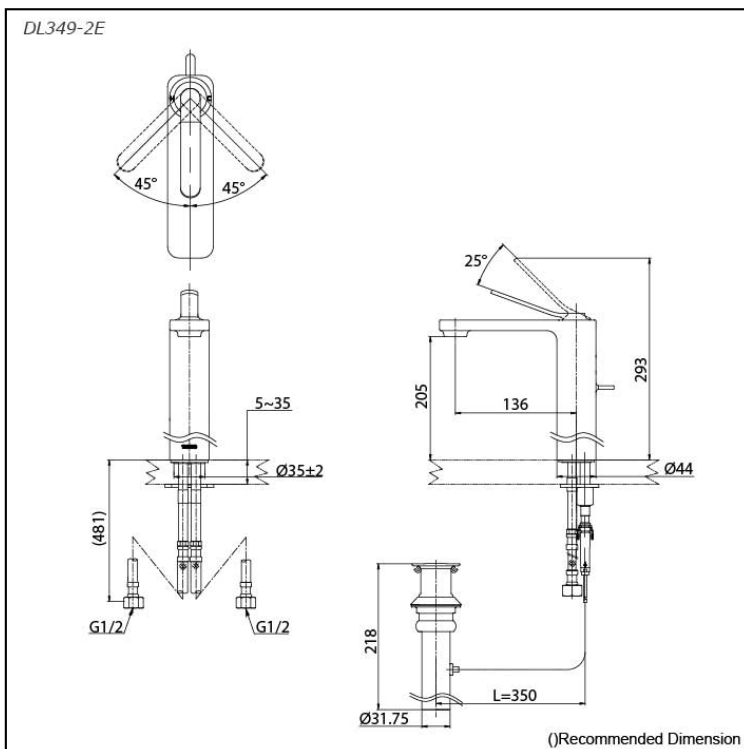
- Stylish design for RENESSE Suite
- TOTO aerated water technology, ECOCAP adds air to the water to achieve full water jet with less amount of water usage
- Smooth Operation with lever type

### Specifications

Finish: Nickel Chrome  
Material: Brass  
Water Pressure: 0.05MPa~0.75MPa

### Parts description

- **DL349-2E**  
Single Lever Lavatory Faucet  
(w/ Pop-up Waste)



## Flow Rate

DL349-2E

