

**CI CONTEMPORARY**  
**1 Handle Lavatory Faucet (w/ Pop-Up Waste)**  
**(2 Holes)**

### Features

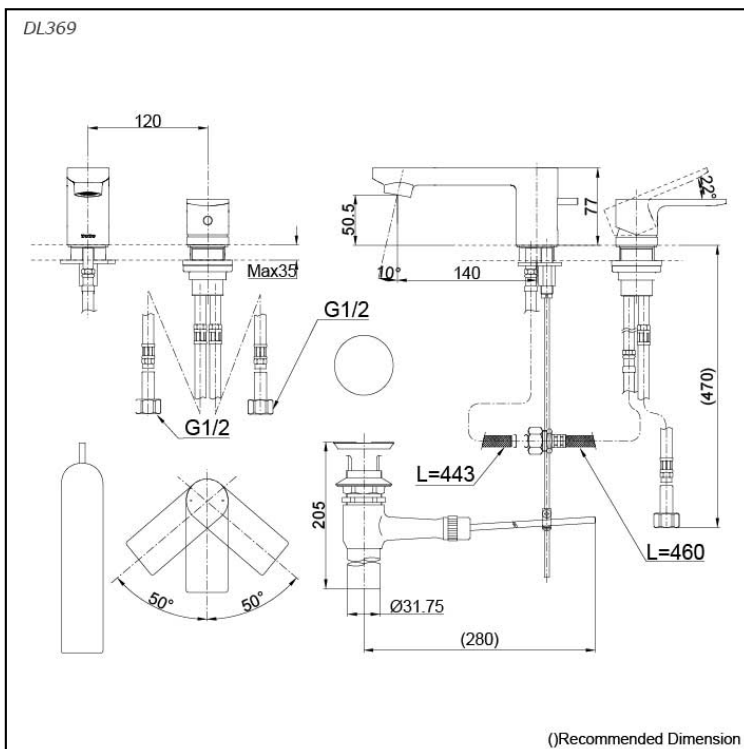
- Contemporary styling
- Smooth operation with lever type
- TOTO aerated water technology, ECOCAP adds air to the water to achieve full water jet with less amount of water usage

### Specifications

Finish: Chrome  
 Material: Brass  
 Water Pressure: 0.05MPa~0.75MPa

### Parts description

- **DL369**  
 1 Handle Lavatory Faucet  
 (w/ Pop-Up Waste)



### Flow Rate

DL369

