

**CI CONTEMPORARY**  
**1 Handle Lavatory Faucet (w/ Pop-Up Waste)**  
**(2 Holes)**



### Features

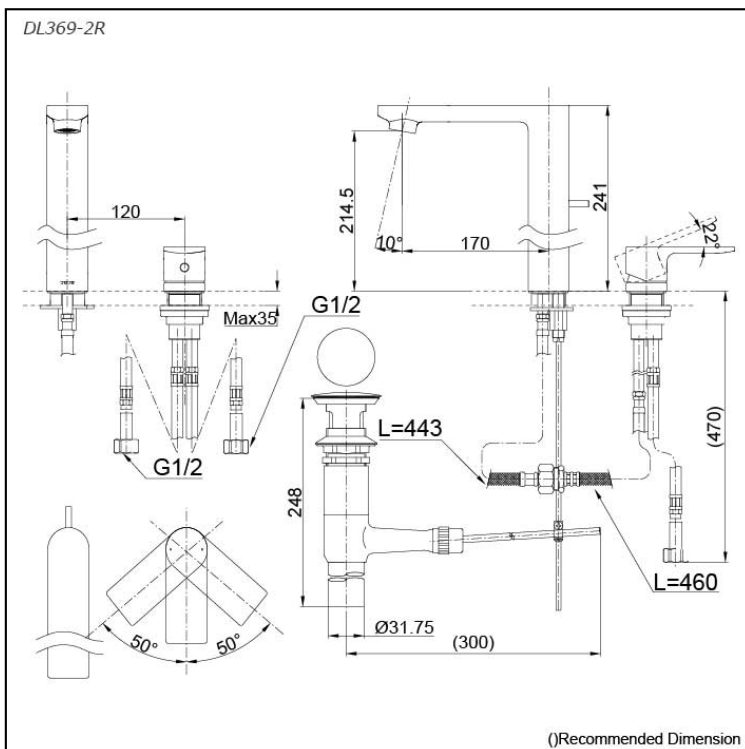
- Contemporary styling
- Smooth operation with lever type
- TOTO aerated water technology, ECOCAP adds air to the water to achieve full water jet with less amount of water usage

### Specifications

Finish: Chrome  
 Material: Brass  
 Water Pressure: 0.05MPa~0.75MPa

### Parts description

- **DL369-2**  
 1 Handle Lavatory Faucet (w/ Pop-Up Waste)  
 (2 Holes)



### Flow Rate

DL369-2R

