

CI CONTEMPORARY  
Wall Mounted Lavatory Faucet  
(w/ Pop-Up Waste)



### Features

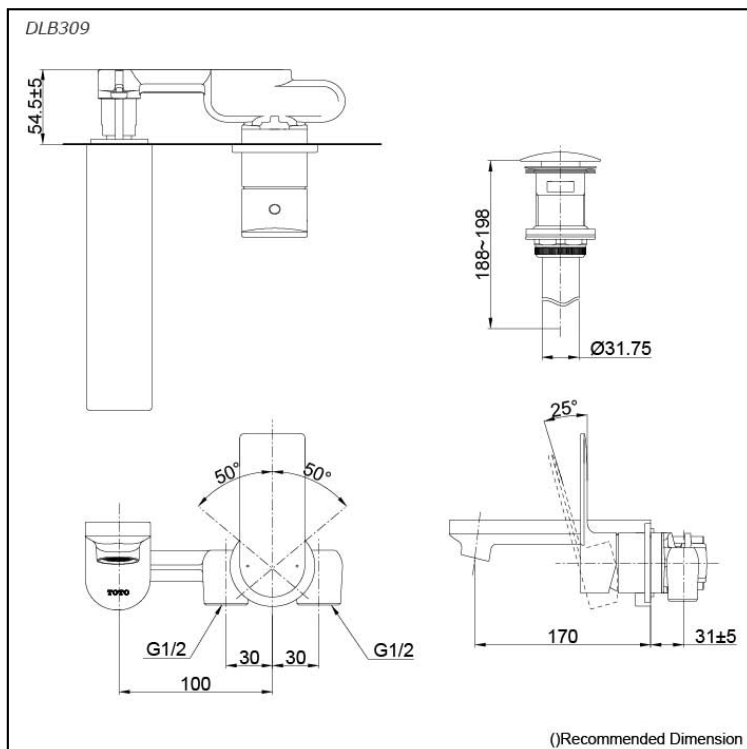
- Contemporary styling
- Smooth operation with lever type
- TOTO aerated water technology, ECOCAP adds air to the water to achieve full water jet with less amount of water usage

### Specifications

Finish: Chrome  
Material: Brass  
Water Pressure: 0.05MPa~0.75MPa

### Parts description

- **DLB309**  
Wall Mounted Lavatory Faucet  
(w/ Pop-Up Waste)



### Flow Rate

DLB309

