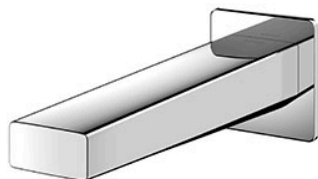


GB Series  
Bath Spout



### Features

- Stately squareness and beveled edges imbue a space with dignity
- Gently beveled with balanced highlights accentuate the shape of the gradually narrowing spout
- High corrosion resistance plating
- Easy Installation and Usage
- The PVD finishes provides both beauty and strength, adding rich color to the bathroom space

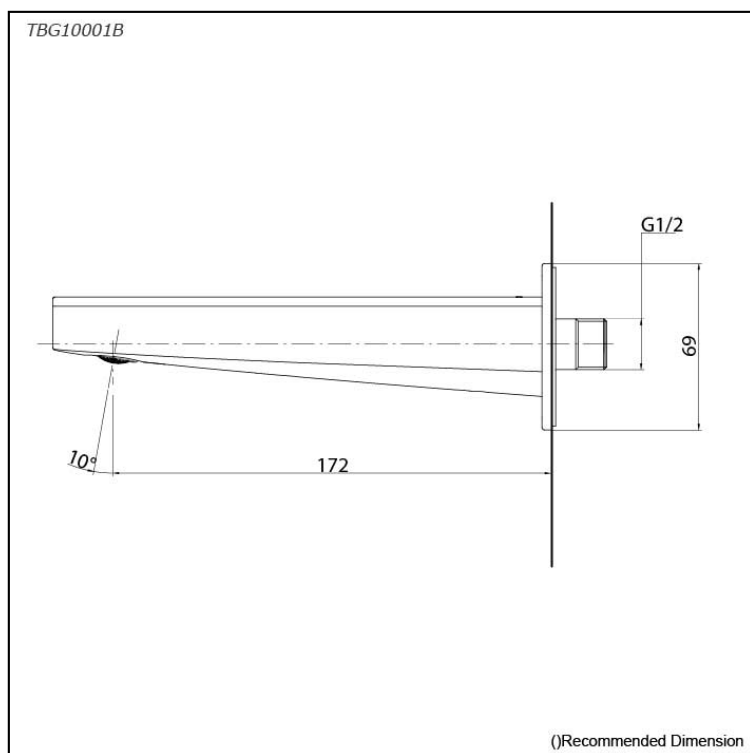
### Specifications

Material: Brass

Water Pressure: 0.05MPa~1.0MPa

### Parts description

- **TBG10001B**  
Bath Spout



### Flow Rate

TBG10001B

