

ZL Series  
Bath Spout

### Features

- Design Concept is Gorgeous and Organic
- The PVD finishes provides both beauty and strength, adding rich color to the bathroom space

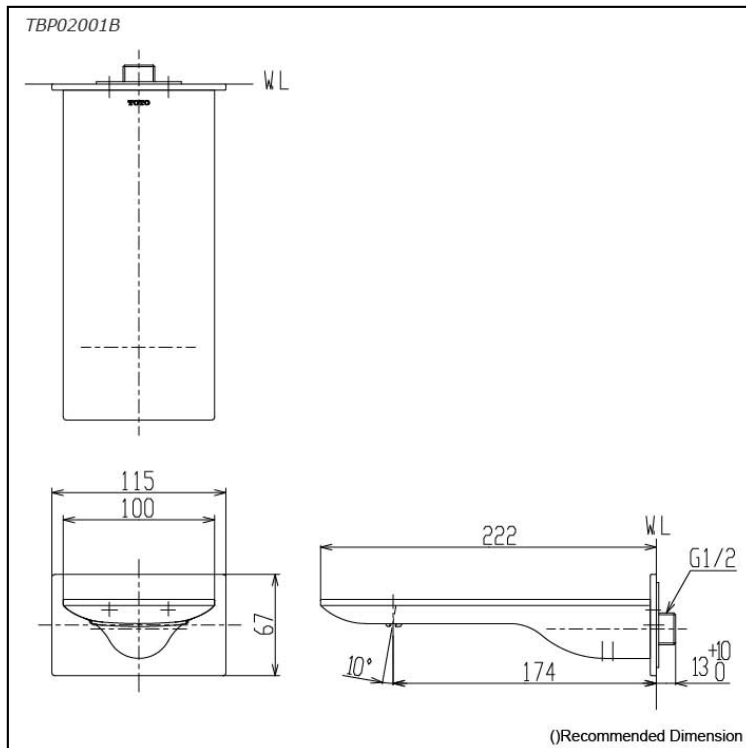
### Specifications

Material: Brass

Water Pressure: 0.05MPa~1.0MPa

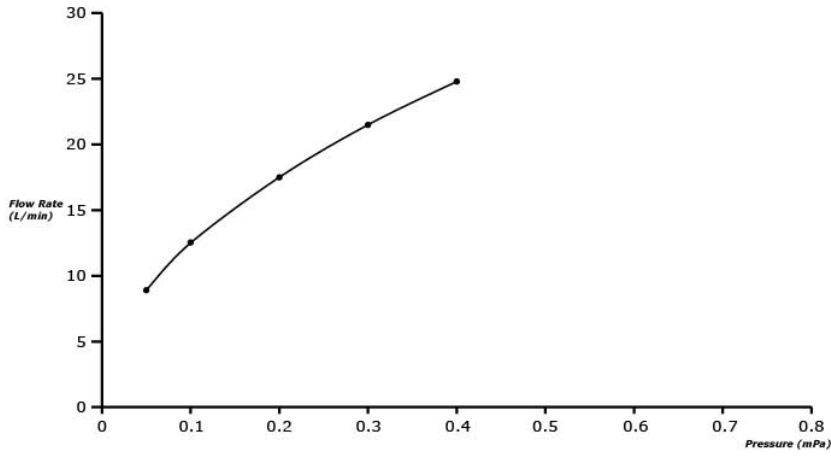
### Parts description

- **TBP02001B**  
Bath Spout



### Flow Rate

TBP02001B + TBP02301B



### Flow Rate

TBP02001B + TBP02302B

