

GO Series
2 Handle Lavatory Faucet
(3-Holes) (w/ Pop-up Waste)



Features

- Design Concept is Gorgeous and Organic.
- Safety control with heat insulating handle.
- The PVD finishes provides both beauty and strength, adding rich color to the bathroom space

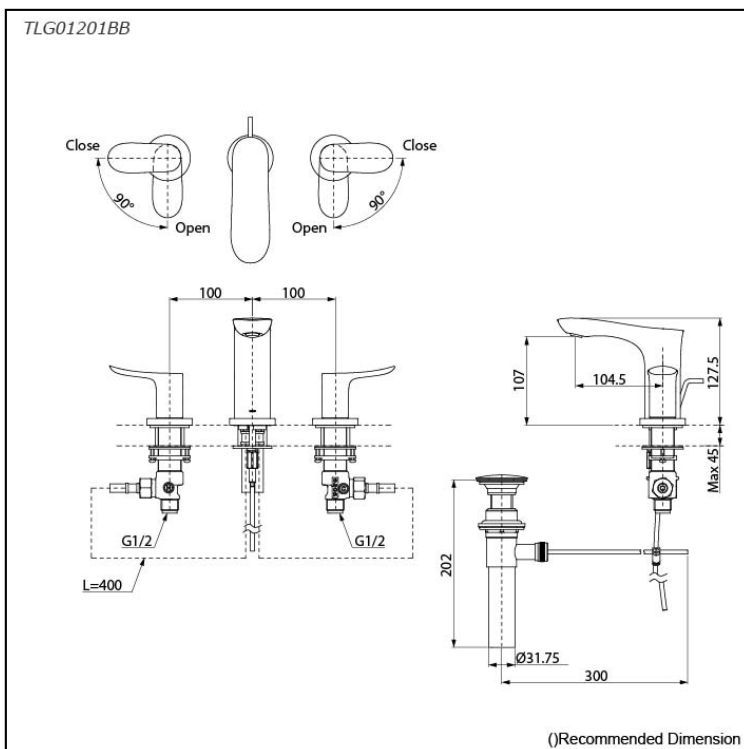
Specifications

Material: Brass

Water Pressure: 0.05MPa~1.0MPa

Parts description

- **TLG01201BB**
2 Handle Lavatory Faucet (3-Holes) (w/ Pop-up Waste)



Flow Rate

