

GA Series
2 Handle Lavatory Faucet
(3-Holes) (w/ Pop-up Waste)



Features

- Contemporary styling
- TOTO original cartridge for smooth control
- Safety control with heat insulating handle.
- High corrosion resistance plating
- TOTO aerated water technology, ECOCAP adds air to the water to achieve full water jet with less amount of water usage.
- The PVD finishes provides both beauty and strength, adding rich color to the bathroom space

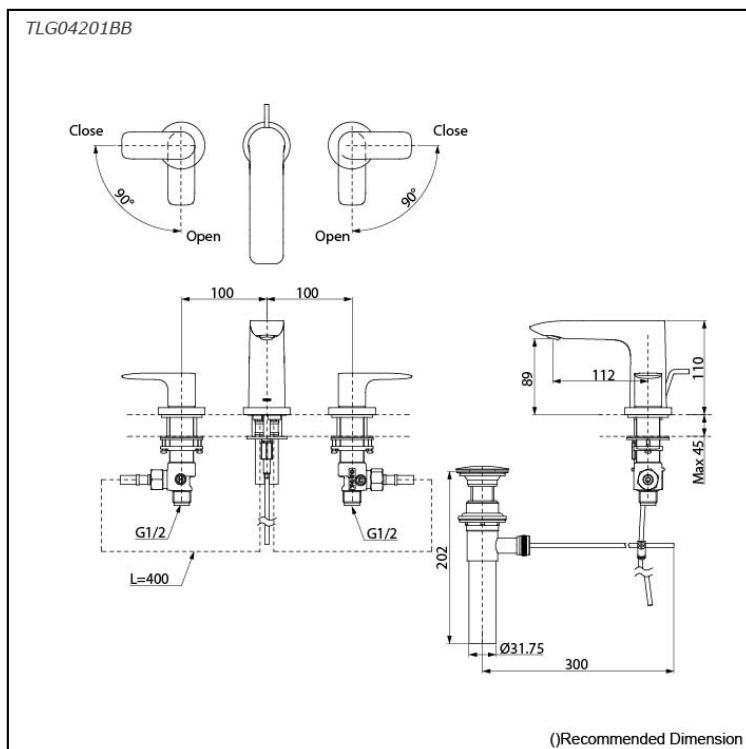
Specifications

Material: Brass

Water Pressure: 0.05MPa~1.0MPa

Parts description

- **TLG04201BB**
2 Handle Lavatory Faucet (3 holes) (w/ pop-up waste)



Flow Rate

