

GE Series  
Single Lever Lavatory Faucet  
(Semi-tall Vessel) (w/o Pop-up Waste)



### Features

- A beauty of traditional craft in characteristic sculptural form
- V-shaped edge extends up to the end of the spout generate multi sided reflections
- Easy Installation and Usage
- Long lasting, COMFORT GLIDE mechanism for a smooth operation
- The PVD finishes provides both beauty and strength, adding rich color to the bathroom space

### Specifications

Material: Brass

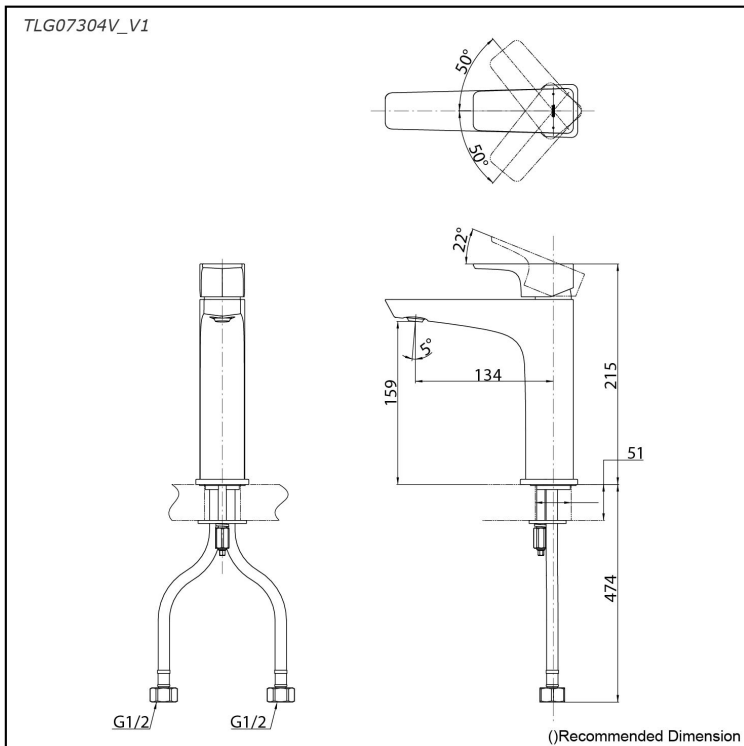
Water Pressure: 0.05MPa~1.0MPa

### Parts description

- **TLG07304V\_V1**  
Single Lever Lavatory Faucet  
(w/o Pop-up Waste)



reddot award 2019  
winner



### Flow Rate

TLG07304V\_V1

