

GB Series
 Wall-Mount Single Lever Lavatory Faucet
 (Short Spout) (w/o Pop-up Waste)



Features

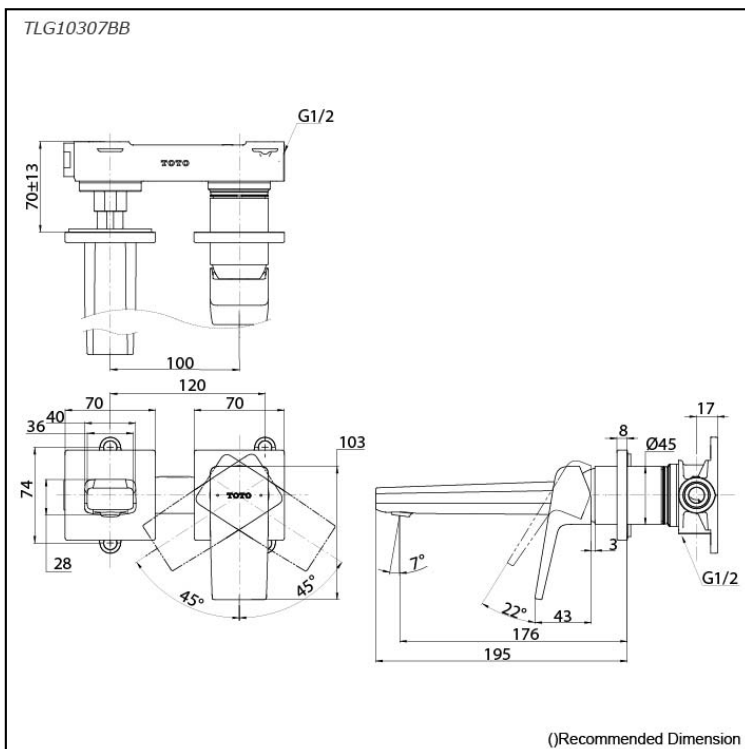
- Stately squareness and beveled edges imbue a space with dignity
- Gently beveled with balanced highlights accentuate the shape of the gradually narrowing spout
- Easy Installation and Usage
- Long lasting, COMFORT GLIDE mechanism for a smooth operation
- The PVD finishes provides both beauty and strength, adding rich color to the bathroom space

Specifications

Material: Brass
 Water Pressure: 0.05MPa~1.0MPa

Parts description

- **TLG10307BB**
 Wall Mount Single Lever Lavatory Faucet
 (Short Spout) (w/o Waste Fittings)



Flow Rate

