

LB Series
Single Lever Lavatory Faucet
(Tall Vessel)
(w/o Pop-up Waste)



Features

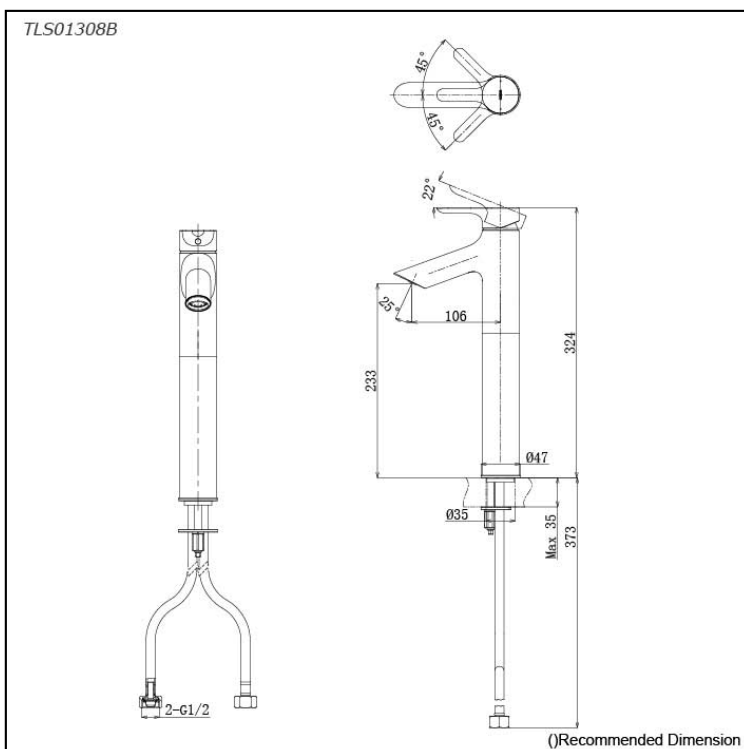
- Design Concept is Life and Branch
- TOTO original cartridge for smooth control
- High corrosion resistance plating
- TOTO aerated water technology, ECOCAP adds air to the water to achieve full water jet with less amount of water usage.

Specifications

Finish: Chrome
Material: Brass
Water Pressure: 0.05MPa~1.0MPa

Parts description

- **TLS01308B**
Single Lever Lavatory Faucet (Tall Vessel)
(w/o Pop-up Waste)



Flow Rate

TLS01308B

