

GE Series  
Bidet Faucet  
(w/ Pop-up Waste)



### Features

- A beauty of traditional craft in characteristic sculptural form
- V-shaped edge extends up to the end of the spout generate multi sided reflections
- Easy Installation and Usage
- The PVD finishes provides both beauty and strength, adding rich color to the bathroom space

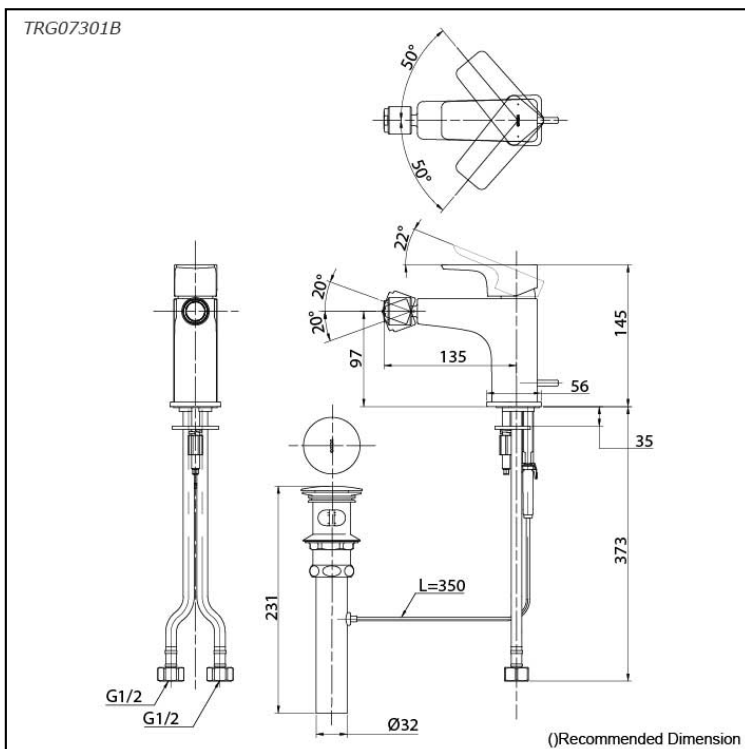
### Specifications

Material: Brass

Water Pressure: 0.05MPa~1.0MPa

### Parts description

- **TRG07301B**  
Bidet Faucet  
(w/ Pop-up Waste)



### Flow Rate

TRG07301B

