

GM Series
Bidet Faucet
(w/ Pop-up Waste)



Features

- Bold parallel arches and reflective curves in an assertive design
- A majestic dignity of outstanding architecture - the arch of its spout and columnar body imposing a further accentuated presence that highlights its edges
- Easy Installation and Usage
- The PVD finishes provides both beauty and strength, adding rich color to the bathroom space

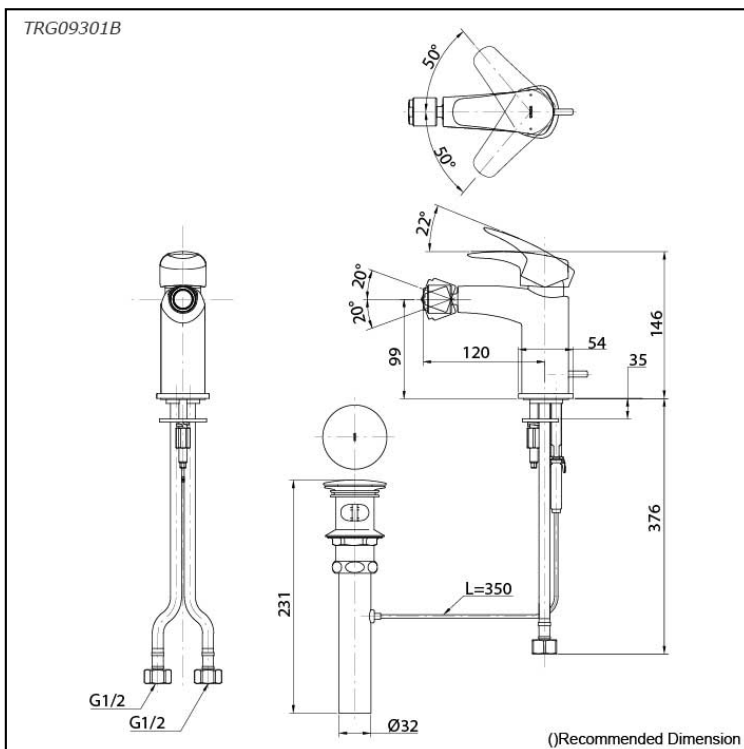
Specifications

Material: Brass

Water Pressure: 0.05MPa~1.0MPa

Parts description

- **TRG09301B**
Bidet Faucet
(w/ Pop-up Waste)



Flow Rate

TRG09301B

