

CRES
Single Lever Bath and
Shower Mixer w/ Diverter



Features

- Sharp-lined smart design exclusively for CRES series
- Durable finishes
- Smooth operation with lever type

Specifications

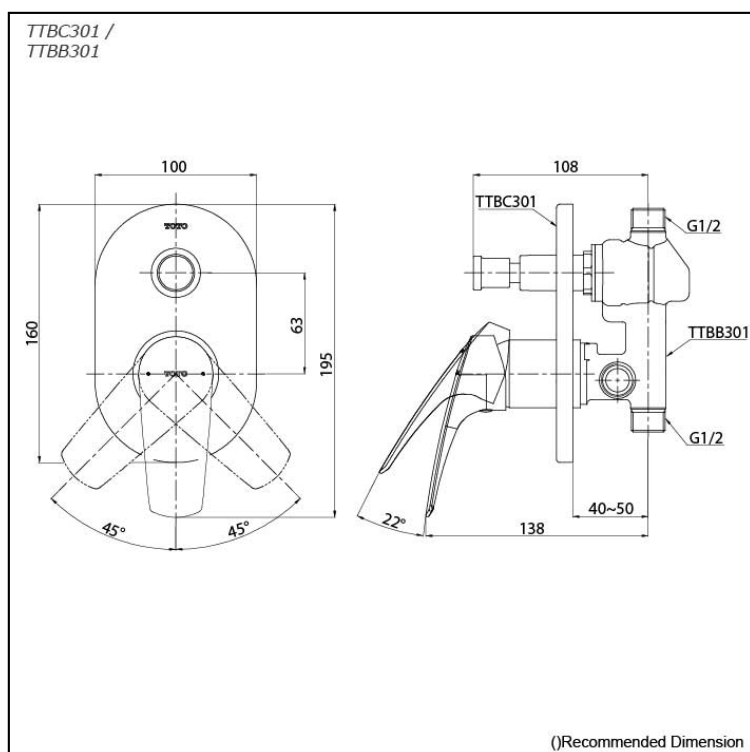
Water Pressure: 0.05MPa~0.75MPa

Finish: Nickel Chrome

Material: Brass

Parts description

- **TTBC301 / TTBB301**
Single Lever Bath and Shower Mixer w/
Diverter



Flow Rate

TTBC301 /
TTBB301

