

CRES
Single Lever
Kitchen Faucet



Features

- Sharp-lined smart design exclusively for CRES series
- Durable finishes
- Smooth operation with lever type

Specifications

Water Pressure: 0.05MPa~0.75MPa

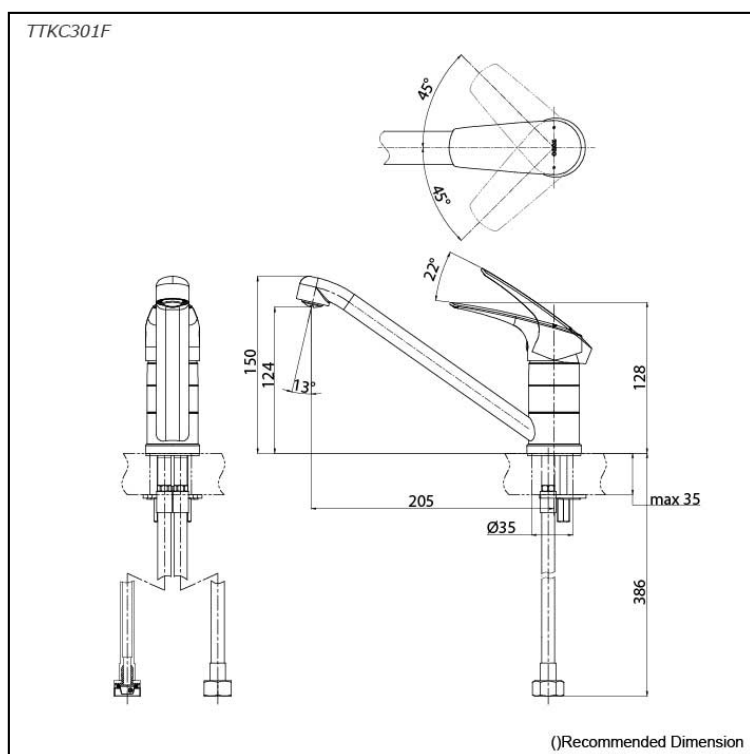
Hole: 1 hole

Finish: Nickel Chrome

Material: Brass

Parts description

- **TTKC301F**
Single Lever Kitchen Faucet



Flow Rate

TTKC301F

