

**CRES**  
*Single Lever Lavatory Faucet*  
*(w/ Pop-up Waste)*



### Features

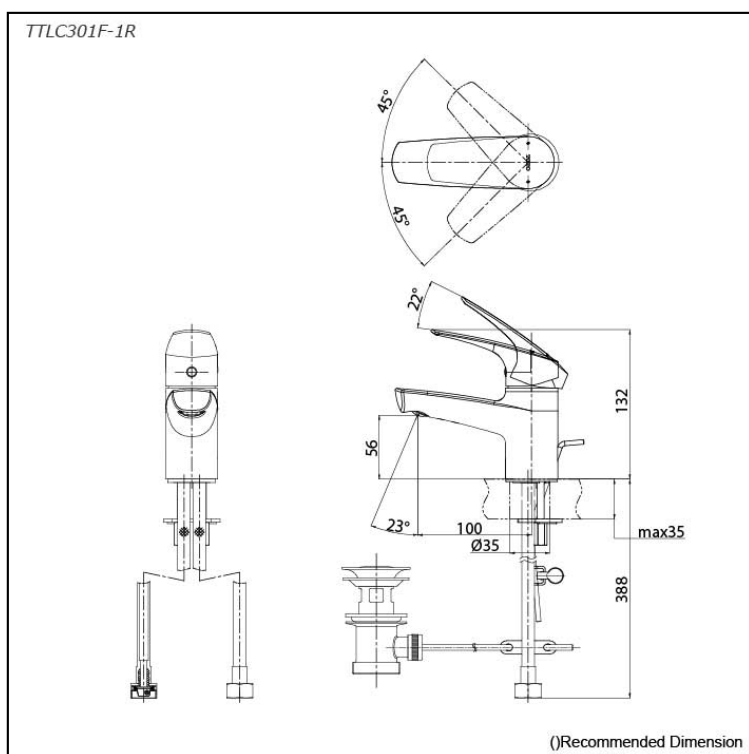
- Sharp-Lined smart design exclusively for CRES Series
- Durable finishes
- Smooth Operation with lever type

### Specifications

Finish: Nickel Chrome  
 Hole: 1 hole  
 Material: Brass  
 Water Pressure: 0.05MPa ~ 0.75MPa

### Parts description

- TTL301F-1R  
 Single Lever Lavatory Faucet  
 (w/ Pop-up Waste)



# Flow Rate

TTL301F-1R

